



EVICA EP20+

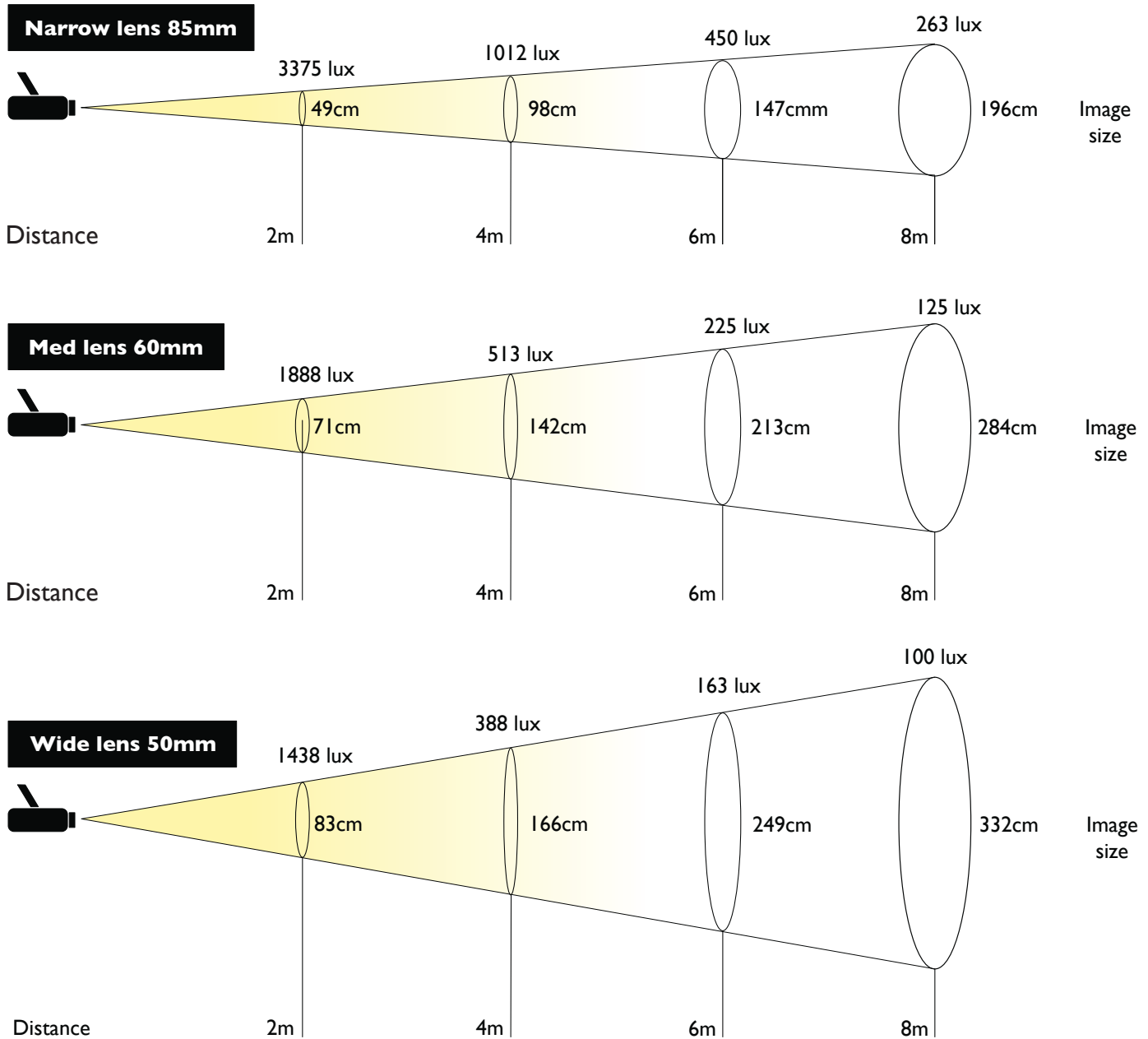
Technical details EP20+

Cooling	Convection		
Noise dBA	0		
IP rating	IP65		
Operating Temperature Degrees C	-20 to +40		
Light Source	Fidelity 20W		
LED Luminous Flux (Lm)	6500K/ 2012	Options	3000K/5600K 913/1610
Standard CCT	6500K	Options	3000K/5600K
Standard CRI	80	Options	98+
Luminaire Supply Voltage (Vdc)	30		
Luminaire supply current (mA)	700		
Input Power	20w		
Recommended IP67 Drive module (Fixed Voltage)	XLG-20-H		
Recommended IP67 Drive module (0-10V dim for 100K pot)	XLG-20-H-B		
Lamp housing material	Aluminium		
Lamp housing finish (standard)	Anodised		
Lamp housing finish (special order)	RAL Powder coated		
Weight (Kg)	1.3		
Gobo	Size E 37.5mm (active 24mm)		
Mounting Yoke hole	13mm		
Objective Lens assemblies	N(85mmfl)/M(60mmfl)/W(50mmfl)		
Image Angle (Narrow lens) degrees	14.0°		
Image Angle (Medium lens) degrees	20.1°		
Image Angle (Wide lens) degrees	23.4°		
LED Lifetime (LM-70)	43,000 Hours (70% Lumen Maintenance)		
Options			
Cowl	CI		
Integrated Drive Mounting plate	XLG-BRACKET		



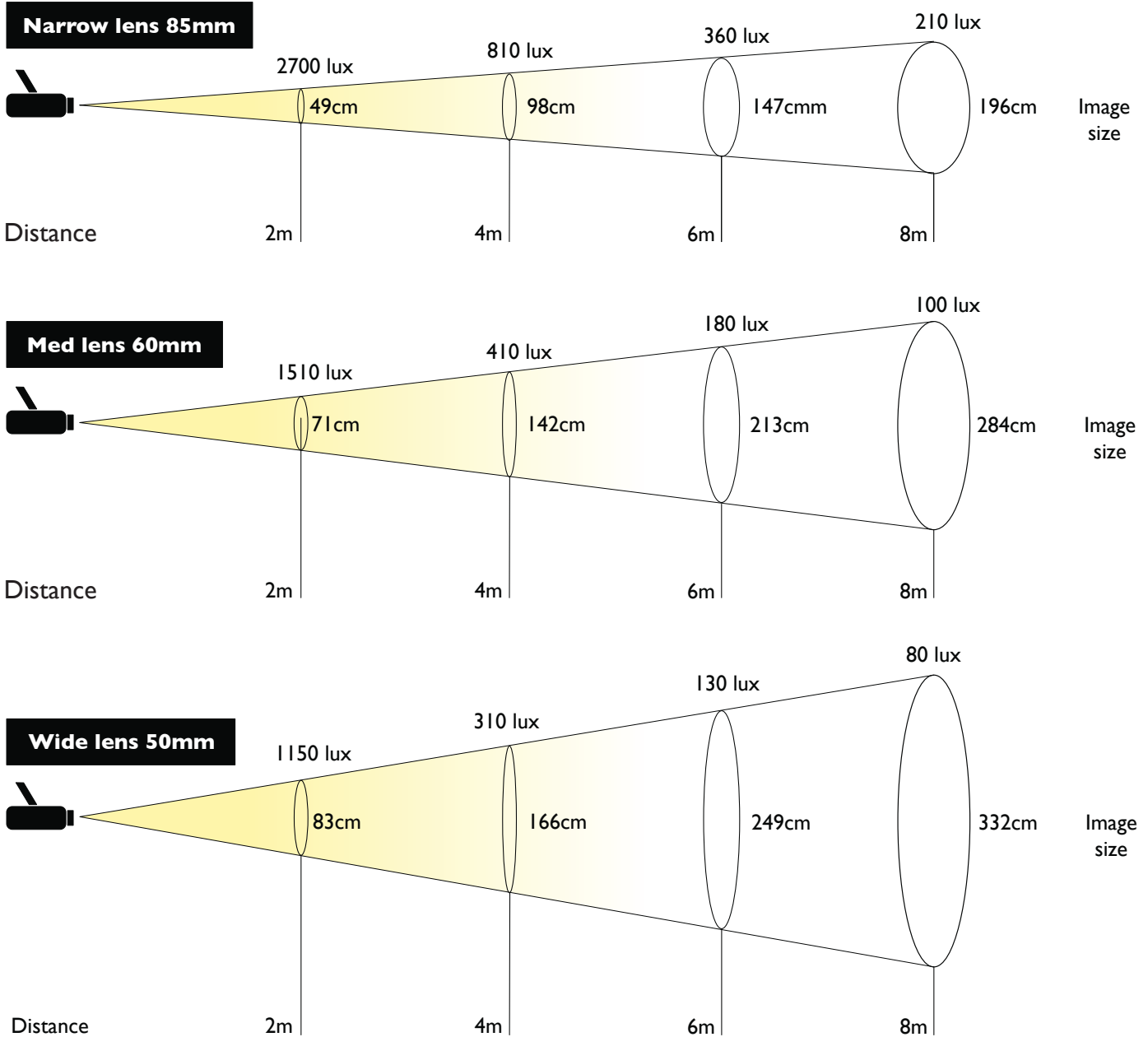
Evica specifications are liable to change without notice.

Standard EP20+ (6500K) 80 CRI



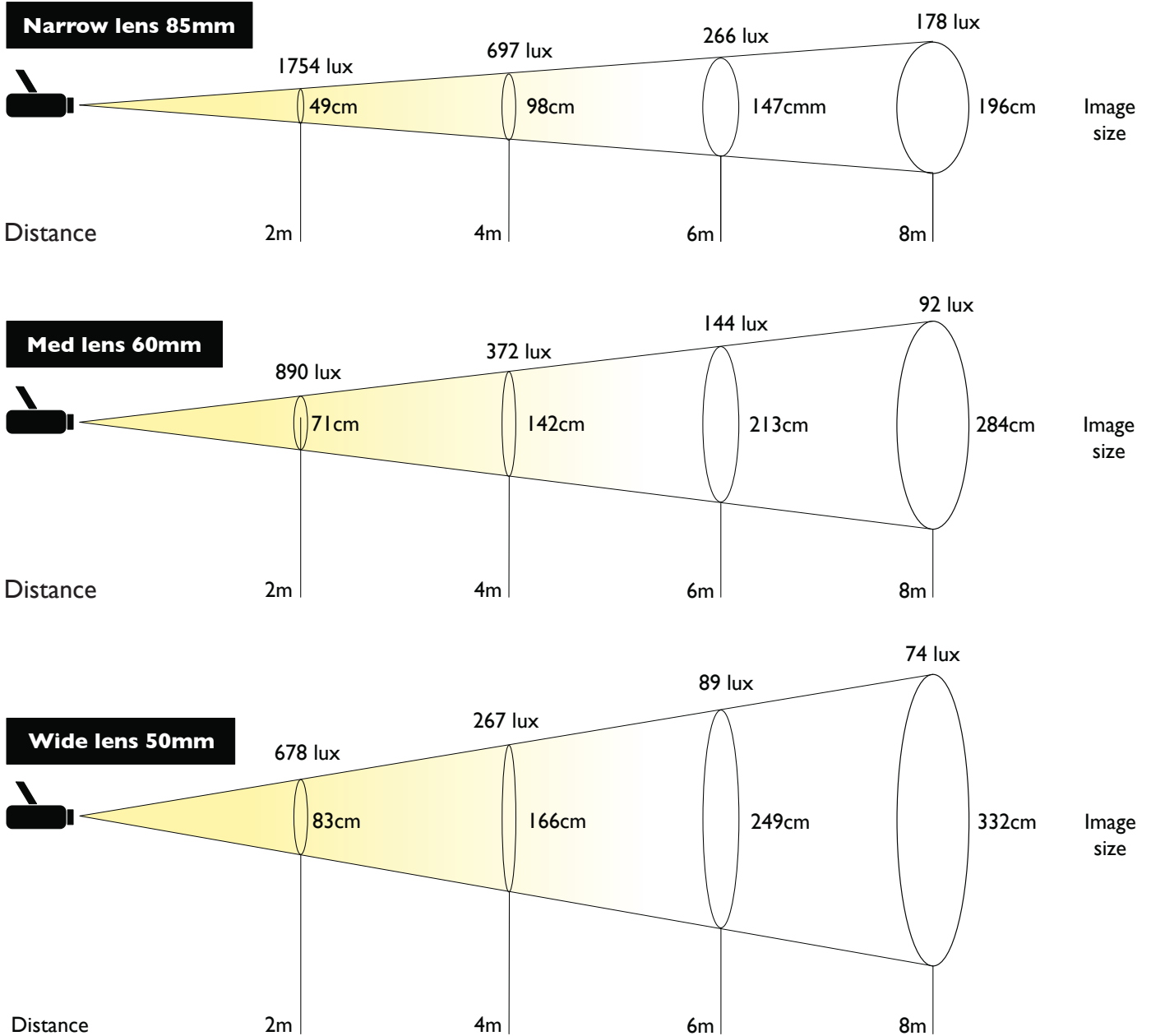
Evica specifications are liable to change without notice.

EP20+ (5600K) 80 CRI



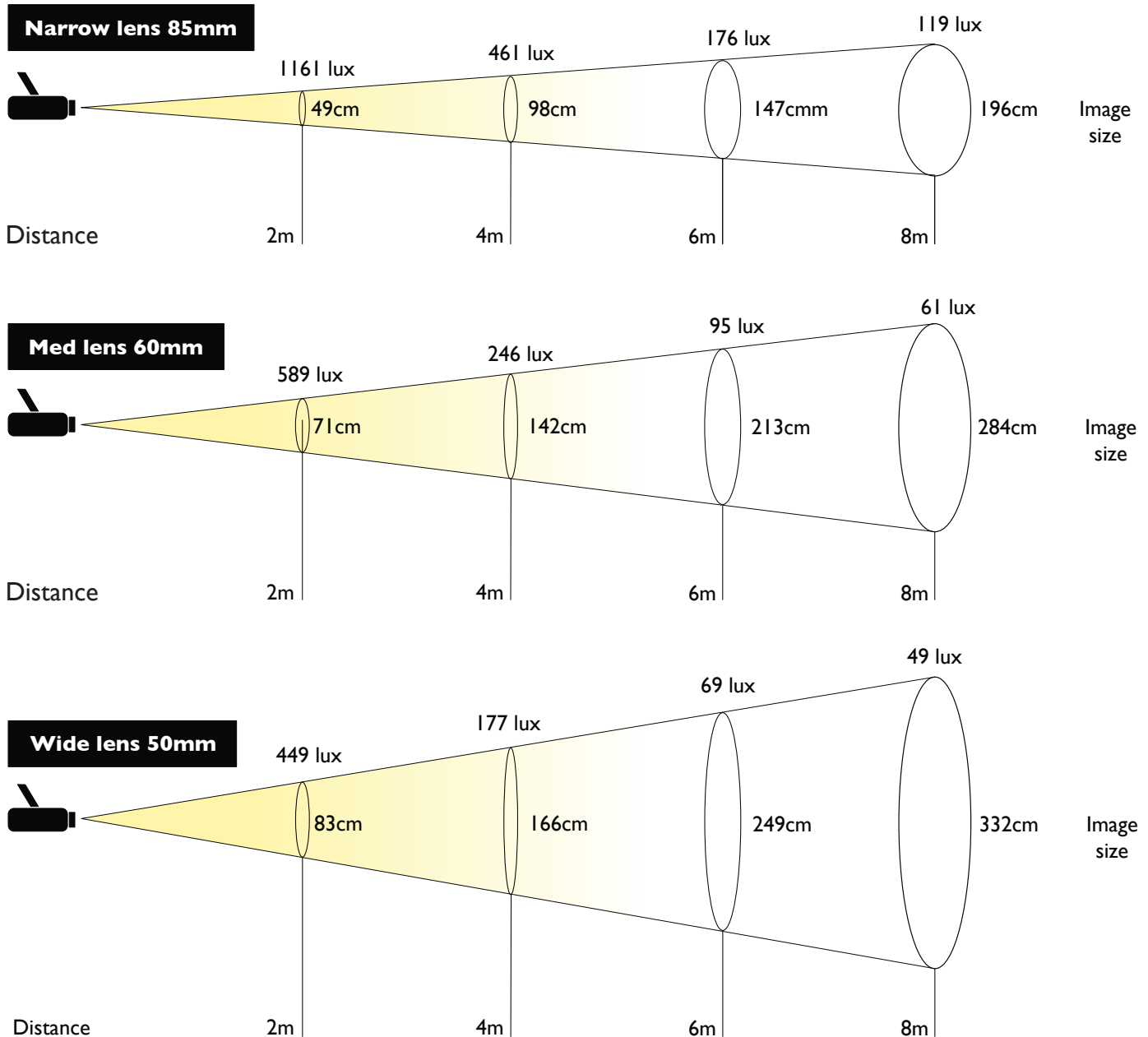
Evica specifications are liable to change without notice.

EP20+ (3000K) 80 CRI



Evica specifications are liable to change without notice.

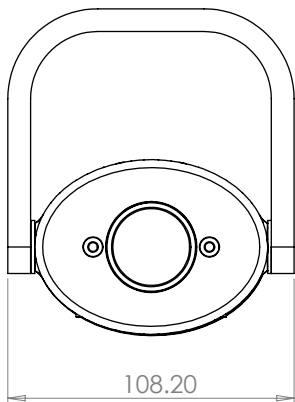
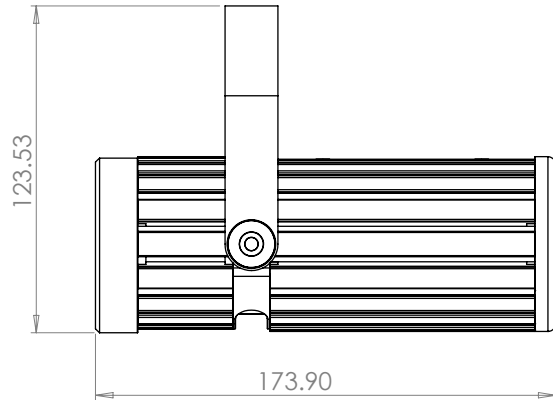
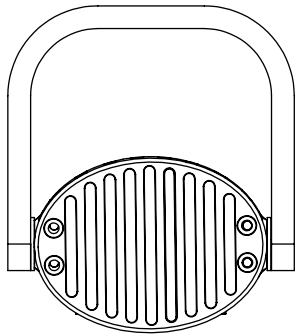
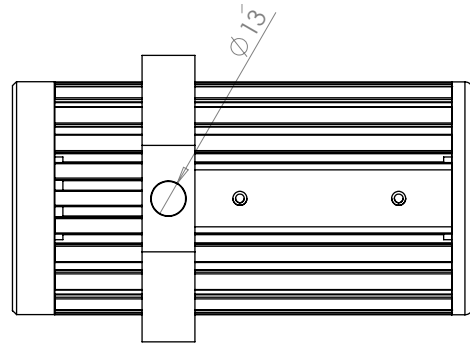
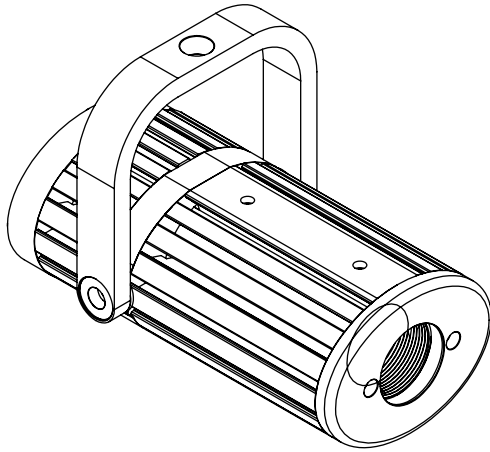
EP20+ (3000K) 98 CRI



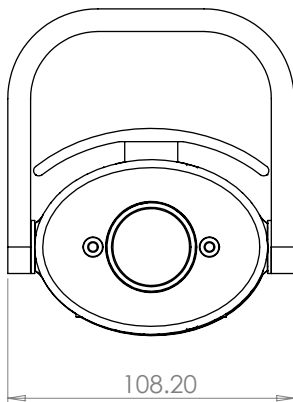
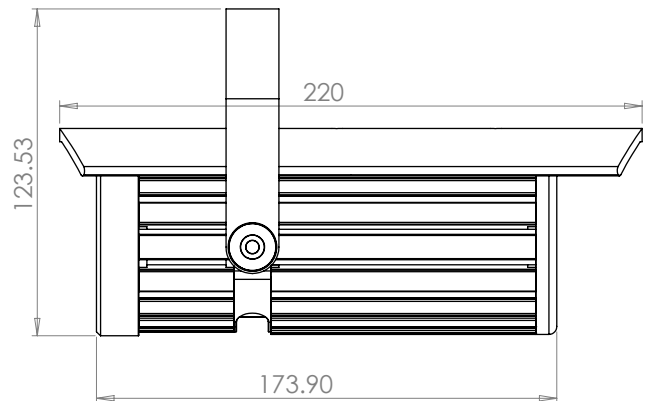
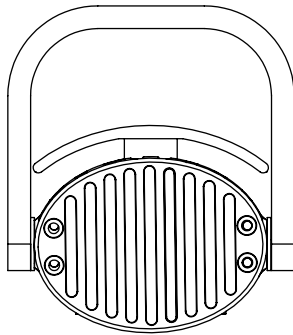
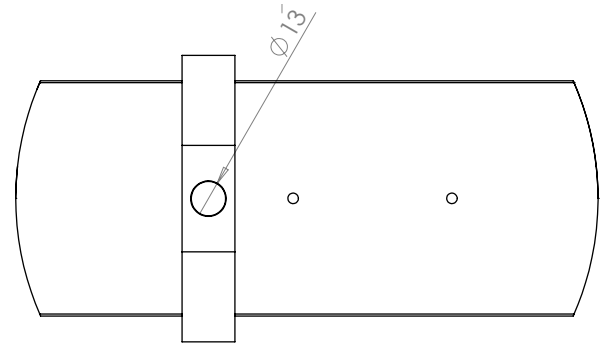
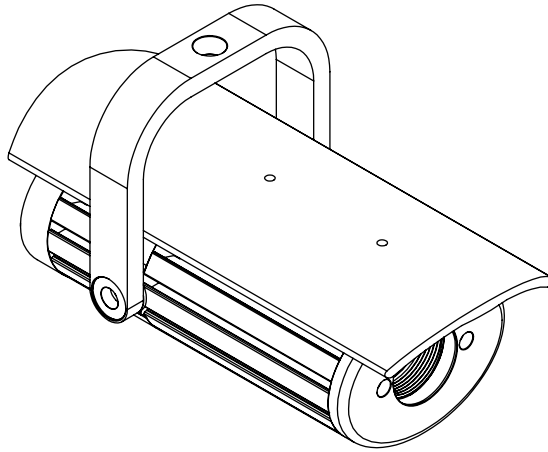
Evica specifications are liable to change without notice.



EVICA EP20+

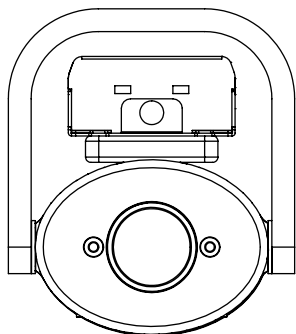
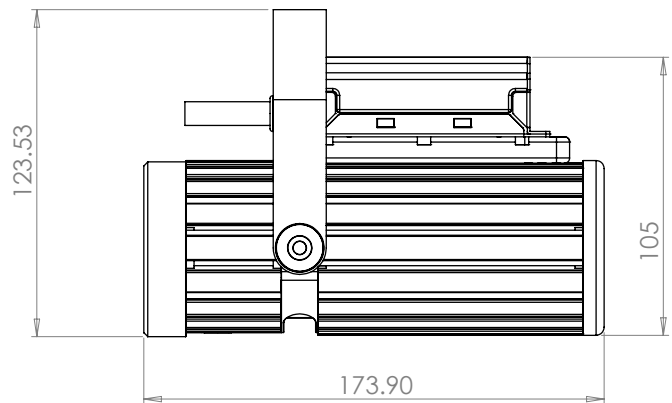
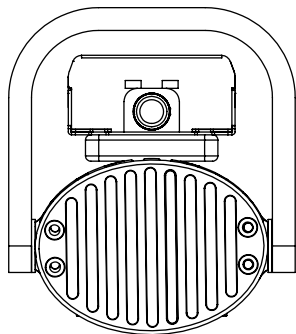
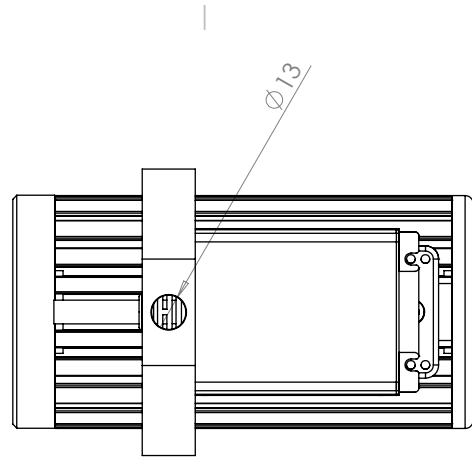
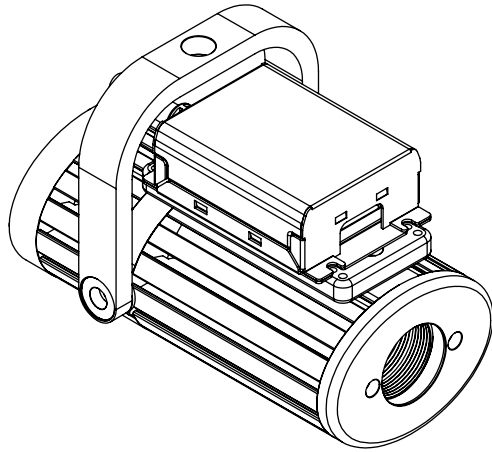


Evica specifications are liable to change without notice.



With cowl unit

Evica specifications are liable to change without notice.



With drive unit

Evica specifications are liable to change without notice.



EVICA EP40+

Technical details EP40+

Cooling	Convection		
Noise dBA	0		
IP rating	IP65		
Operating Temperature Degrees C	-20 to +40		
Light Source Fidelity	40W		
LED Luminous Flux (Lm)	6500K/ 5250	Options	3000K/5600K 2400/4200
Standard CCT	6500K	Options	3000K/5600K/UV 395nm 30'000mW
Standard CRI	80	Options	98+
Luminaire Supply Voltage (Vdc)	48		
Luminaire supply current (mA)	1200		
Input Power	45w		
Recommended IP67 Drive module (on board dim)	XLG-50-A		
Recommended IP67 Drive module (0-10V dim for 100K pot)			XLG-50-AB
Recommended IP67 Drive module (Dali dim)	ELG-75-C1050-DA		
Lamp housing material	Aluminium		
Lamp housing finish (standard)	Anodised		
Lamp housing finish (special order)	RAL Powder coated		
Weight (Kg)	1.8		
Gobo	Size E 37.5mm (active 28mm)		
Mounting Yoke hole	13mm		
Objective Lens assemblies	N(85mmfl)/M(60mmfl)/W(50mmfl)		
Image Angle (Narrow lens) degrees	17.6°		
Image Angle (Medium lens) degrees	24.2°		
Image Angle (Wide lens) degrees	28.6°		
LED Lifetime (LM-70)	43,000 Hours (70% Lumen Maintenance)		

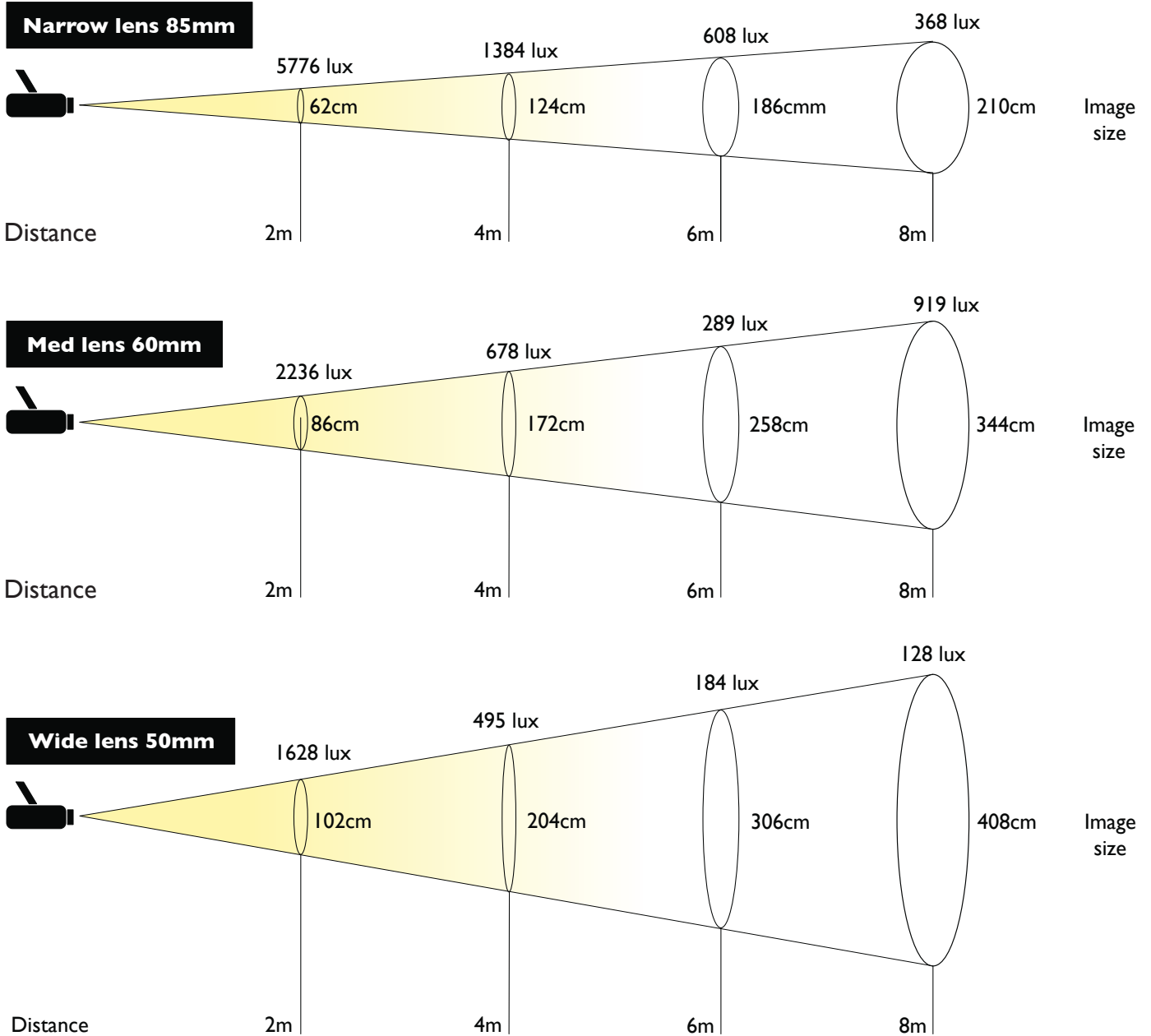
Options**Cowl** CI**Integrated Drive Mounting plate** XLG-BRACKET

Evica specifications are liable to change without notice.



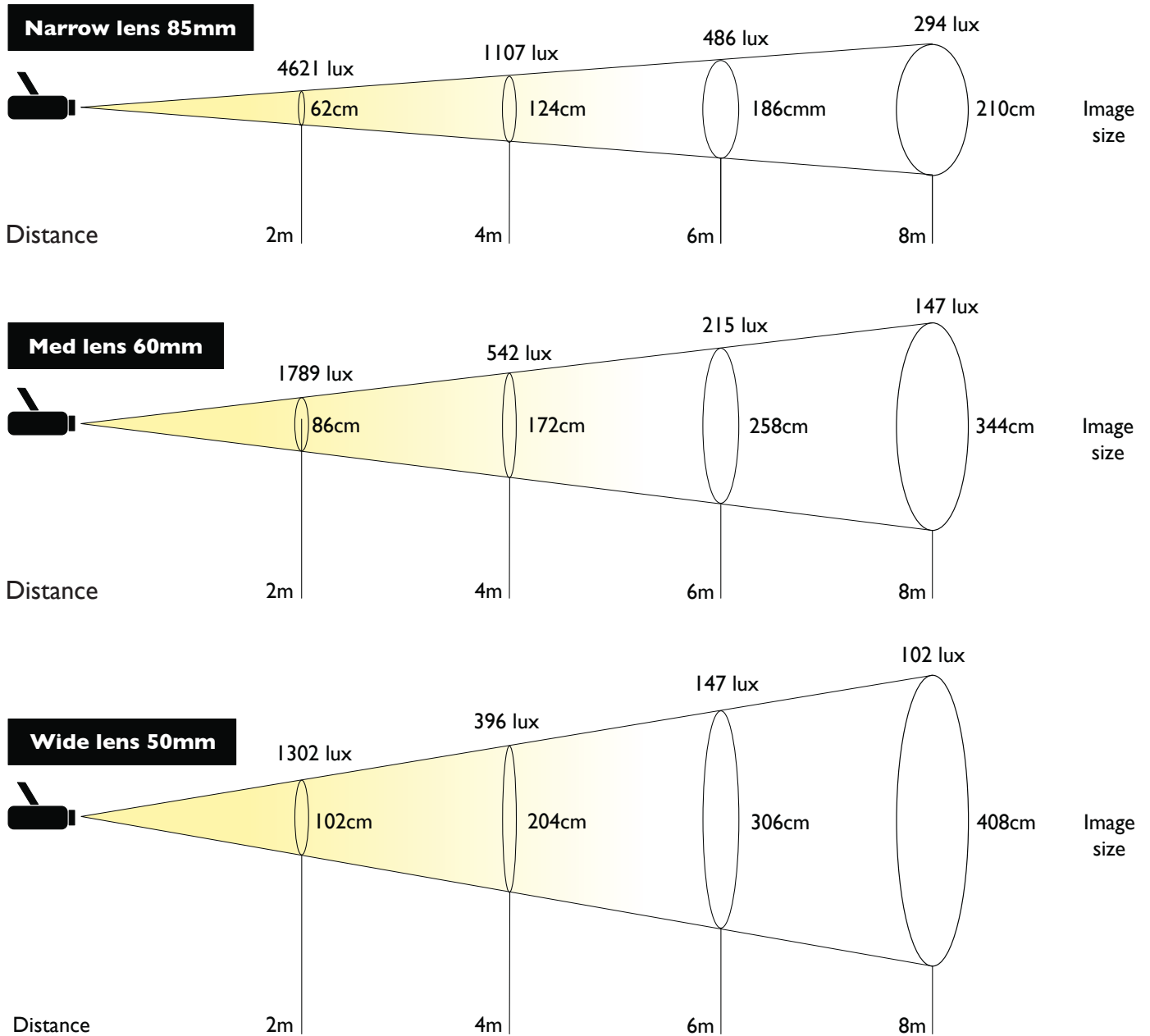
Evica specifications are liable to change without notice.

Standard EP40+ (6500K) 80 CRI



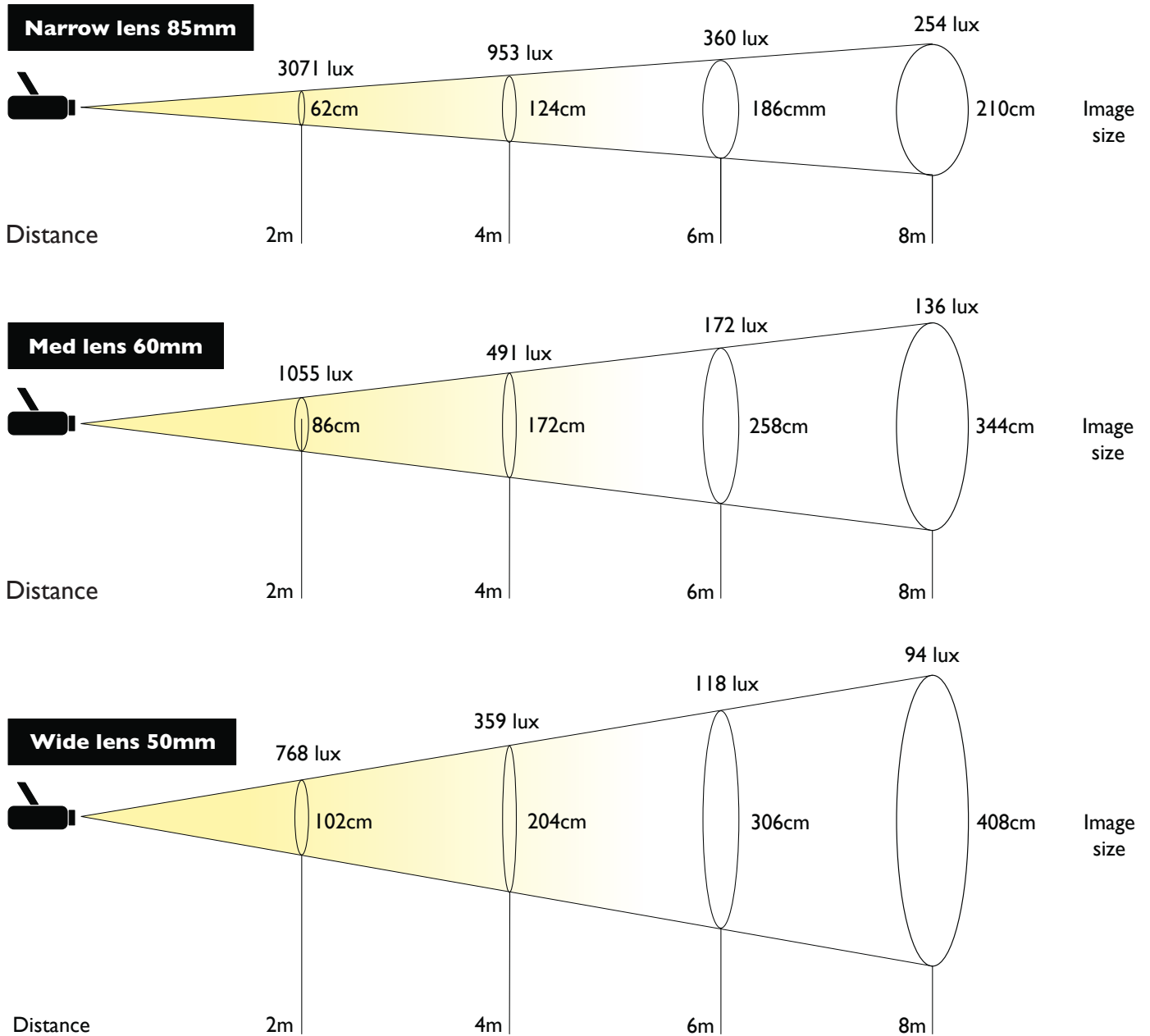
Evica specifications are liable to change without notice.

EP40+ (5600K) 80 CRI



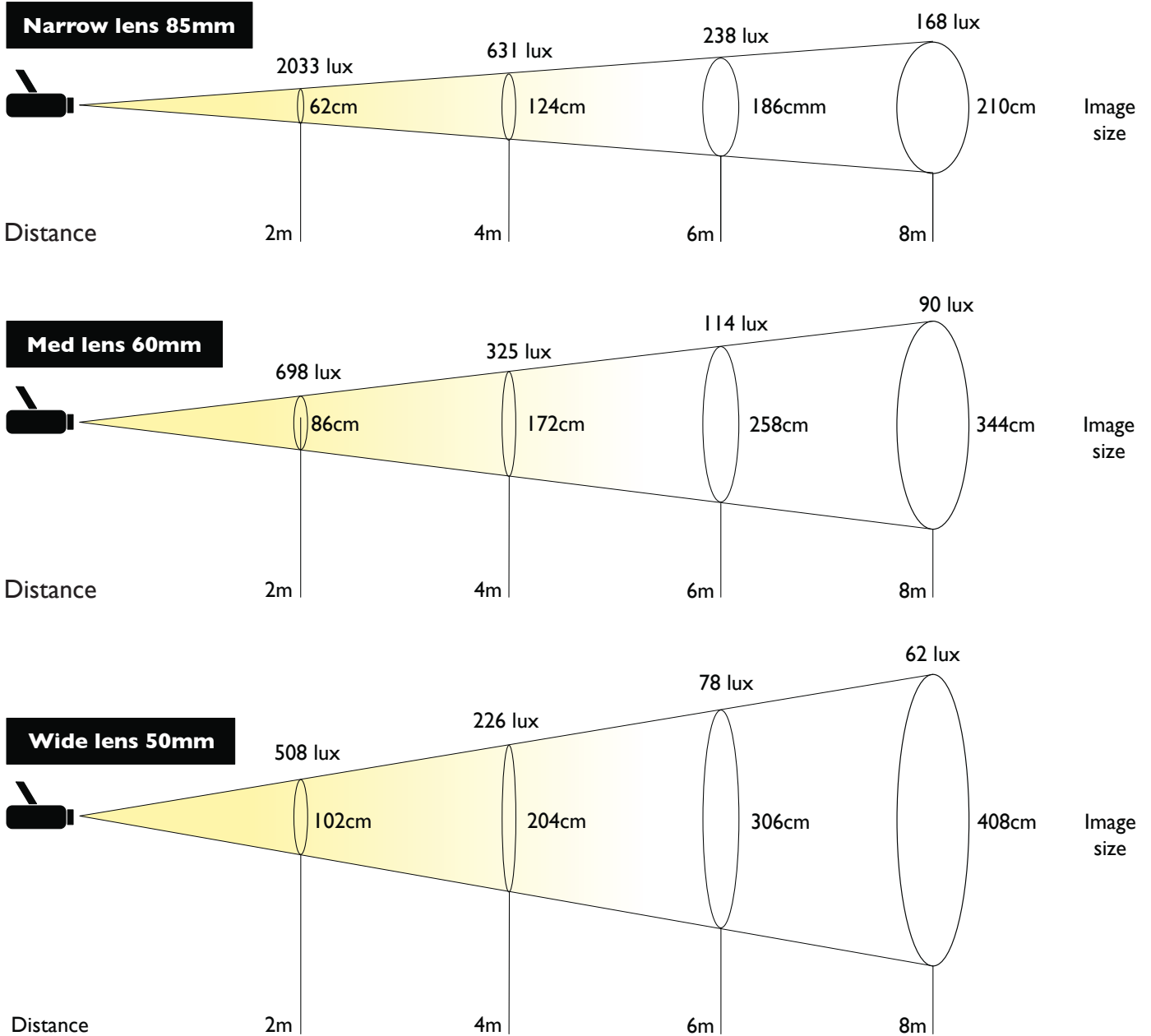
Evica specifications are liable to change without notice.

EP40+ (3000K) 80 CRI

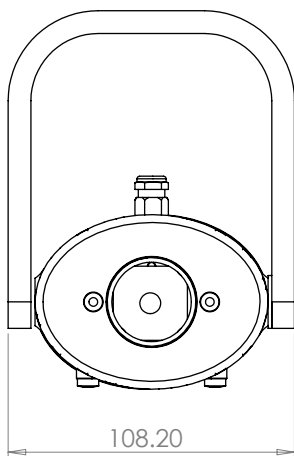
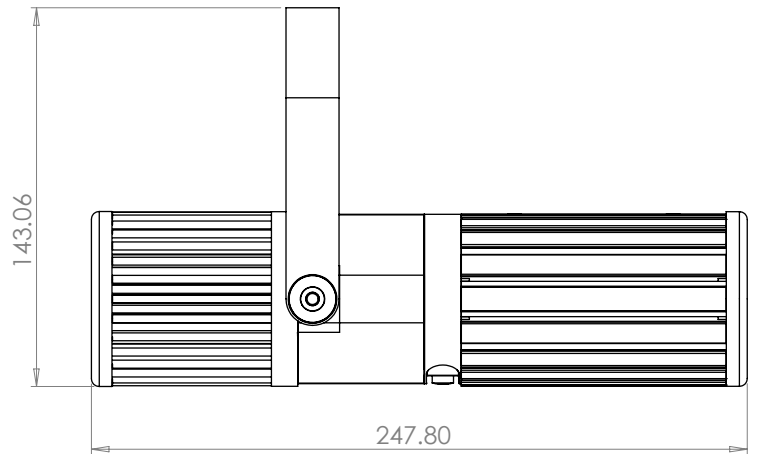
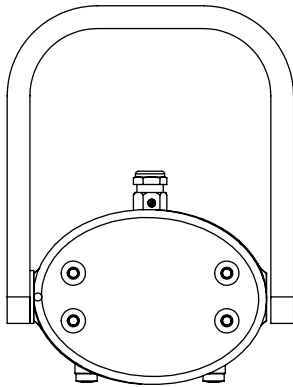
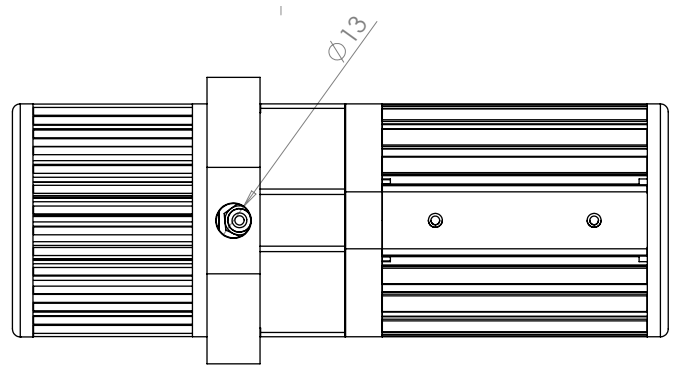
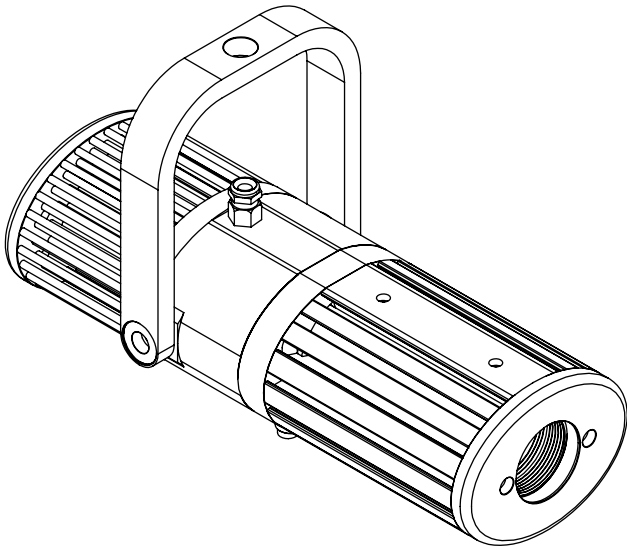


Evica specifications are liable to change without notice.

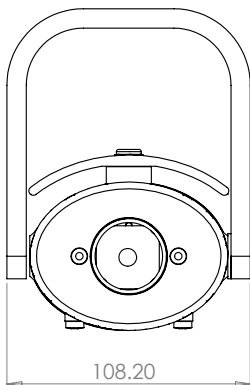
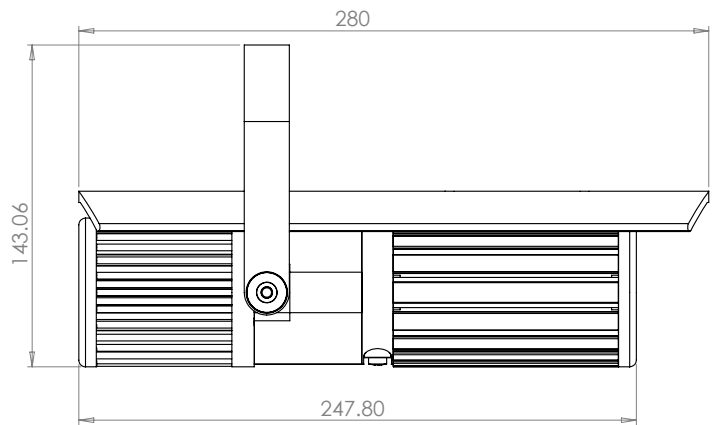
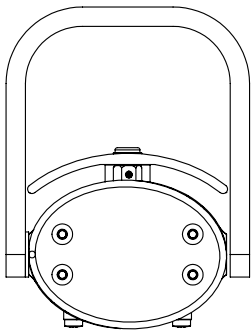
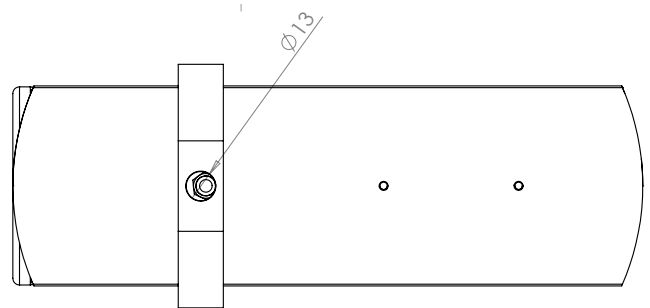
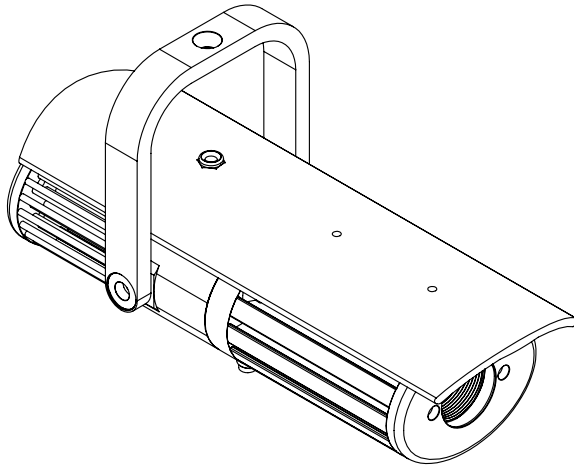
EP40+ (3000K) 98 CRI



Evica specifications are liable to change without notice.

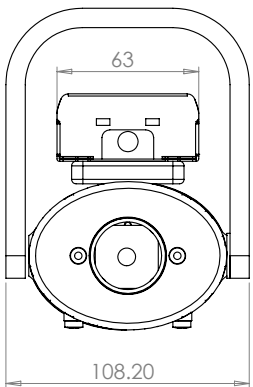
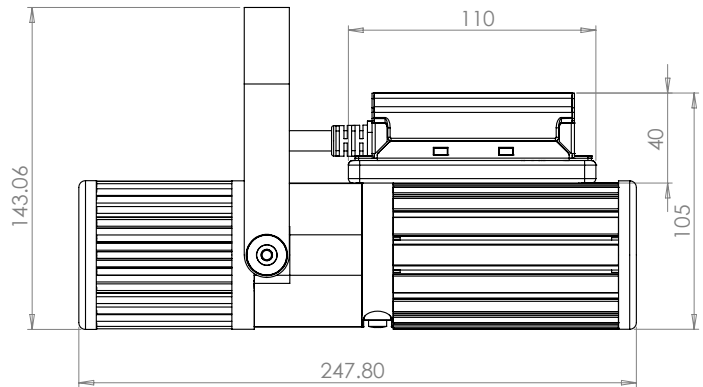
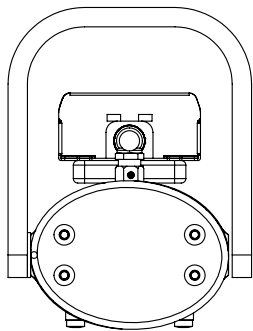
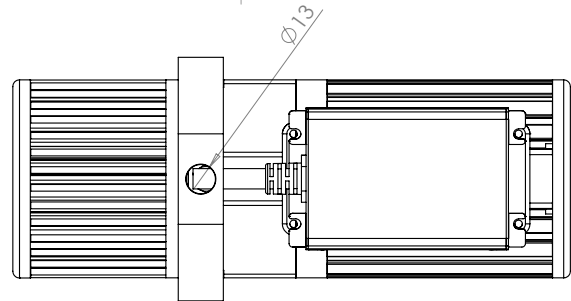
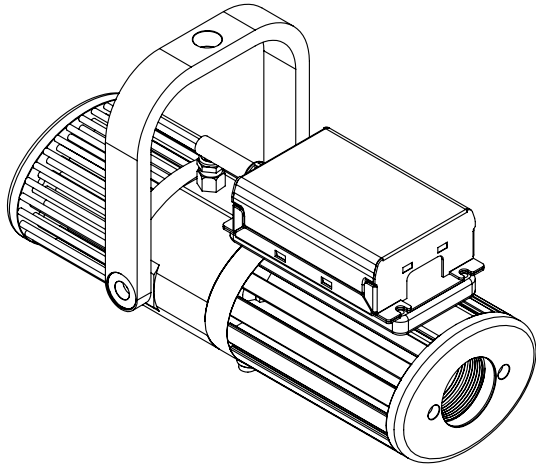


Evica specifications are liable to change without notice.



With cowl unit

Evica specifications are liable to change without notice.



With drive unit

Evica specifications are liable to change without notice.



EVICA EP80+

Technical details EP80+

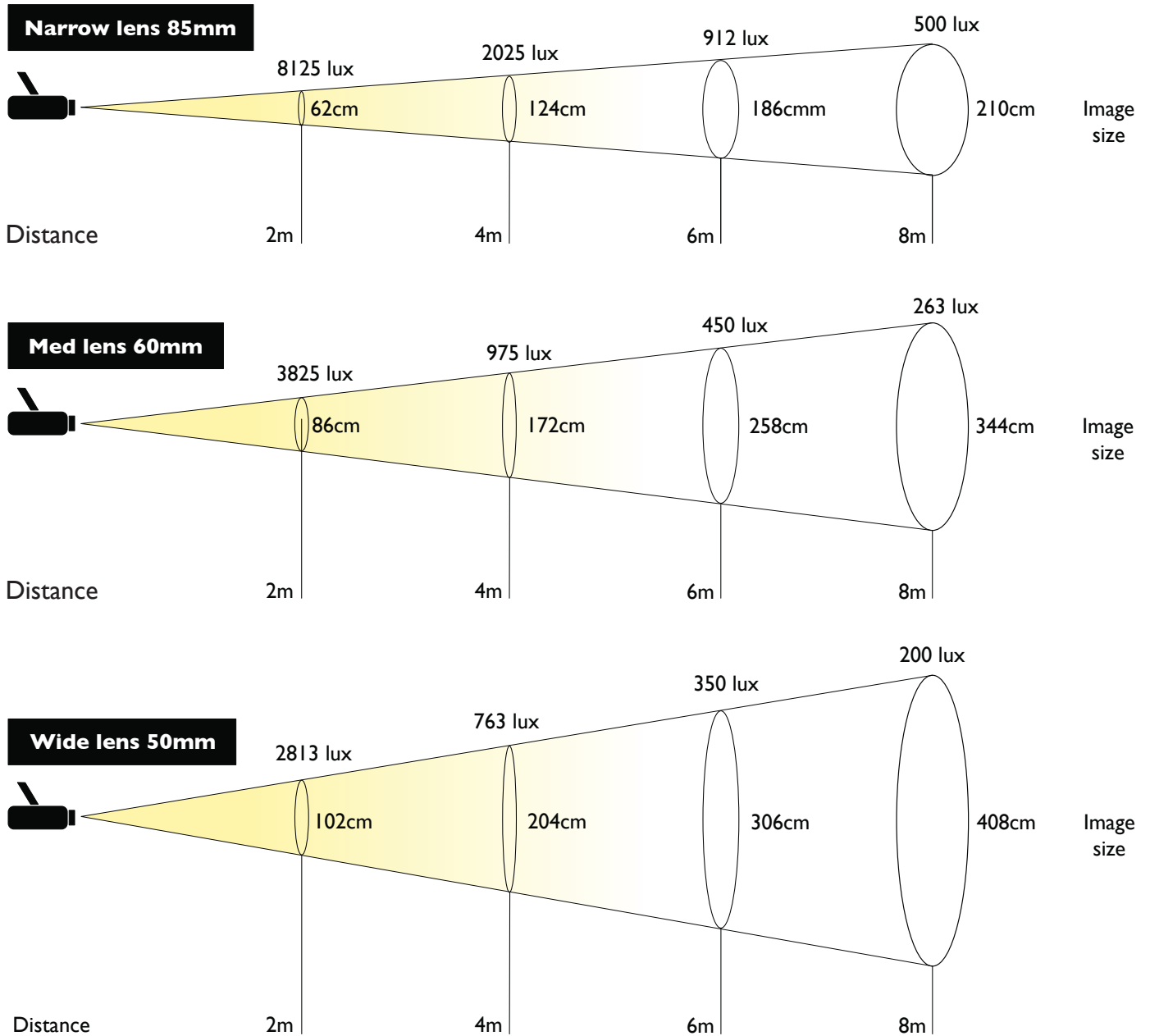
Cooling	Force cooled
Noise dBA	25.4
IP rating	IP65
Operating Temperature Degrees C	-20 to +40
Light Source Fidelity	80W
LED Luminous Flux (Lm)	6500K/ 8750 Options 3000K/5600K 4000/7000
Standard CCT	6500K Options 3000K/5600K/UV 395nm 60'000mW
Standard CRI	80 Options 98+
Luminaire Supply Voltage (Vdc)	48
Luminaire supply current (mA)	2000
Input Power	80w
Recommended IP67 Drive module (on board dim)	ELG-100-48
Lamp housing material	Aluminium
Lamp housing finish (standard)	Anodised
Lamp housing finish (special order)	RAL Powder coated
Weight (Kg)	1.8
Gobo	Size E 37.5mm (active 24mm)
Mounting Yoke hole	13mm
Objective Lens assemblies	N(85mmfl)/M(60mmfl)/W(50mmfl)
Image Angle (Narrow lens) degrees	17.6°
Image Angle (Medium lens) degrees	24.2°
Image Angle (Wide lens) degrees	28.6°
LED Lifetime (LM-70)	43,000 Hours (70% Lumen Maintenance)
Options	
Cowl	C2
Integrated Drive Mounting plate	XLG-BRACKET

Evica specifications are liable to change without notice.



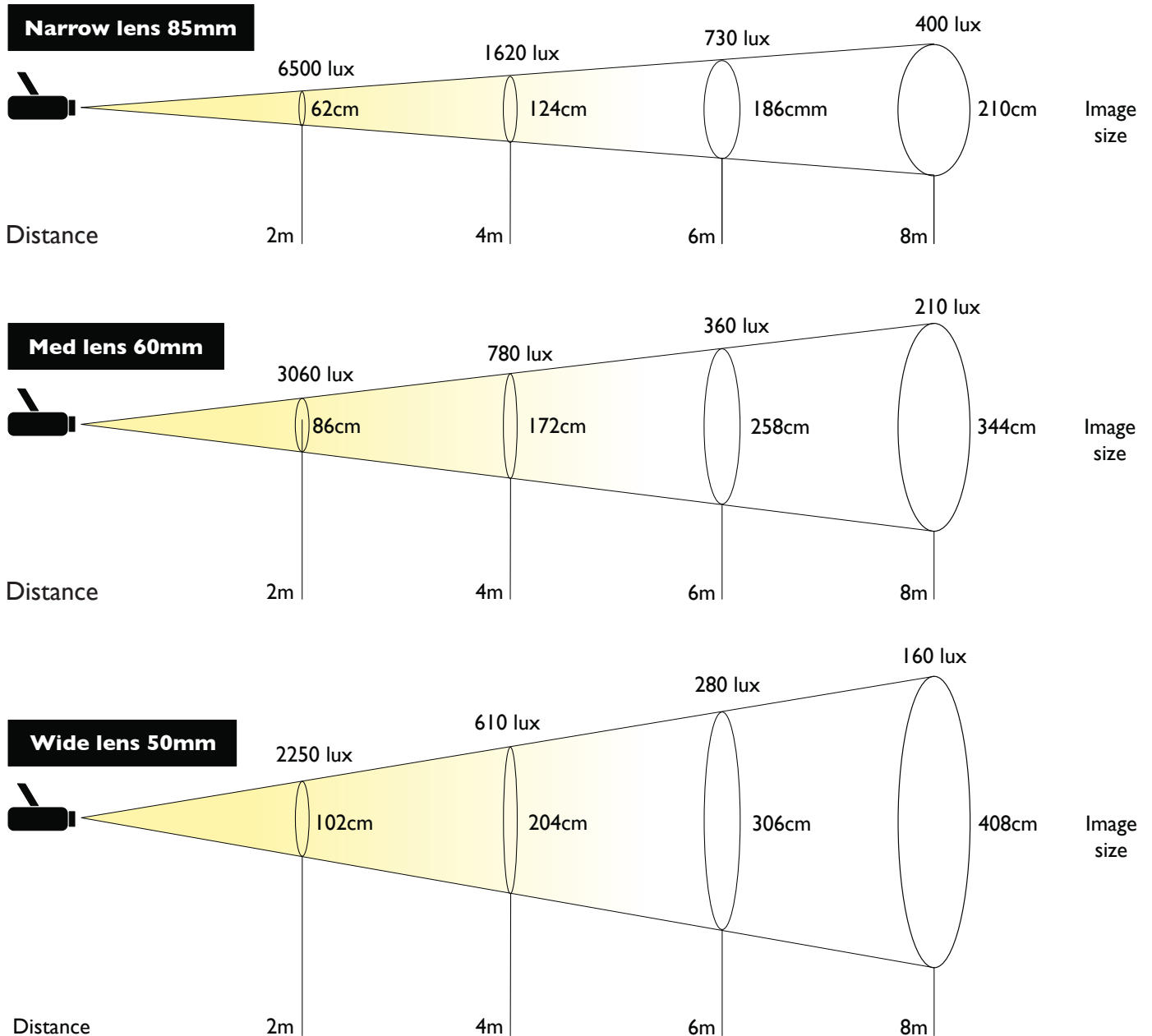
Evica specifications are liable to change without notice.

Standard EP80+ (6500K) 80 CRI



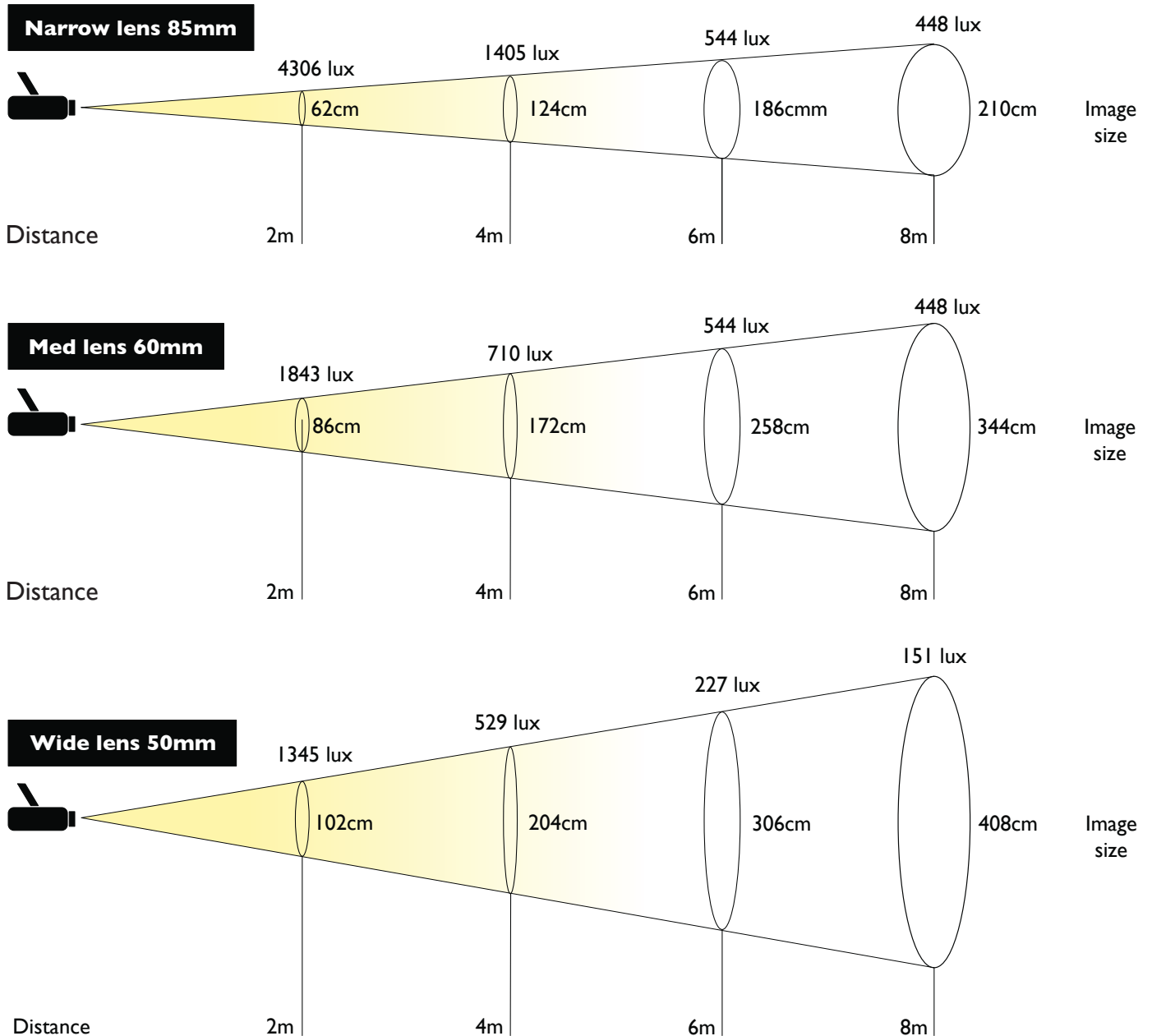
Evica specifications are liable to change without notice.

EP80+ (5600K) 80 CRI



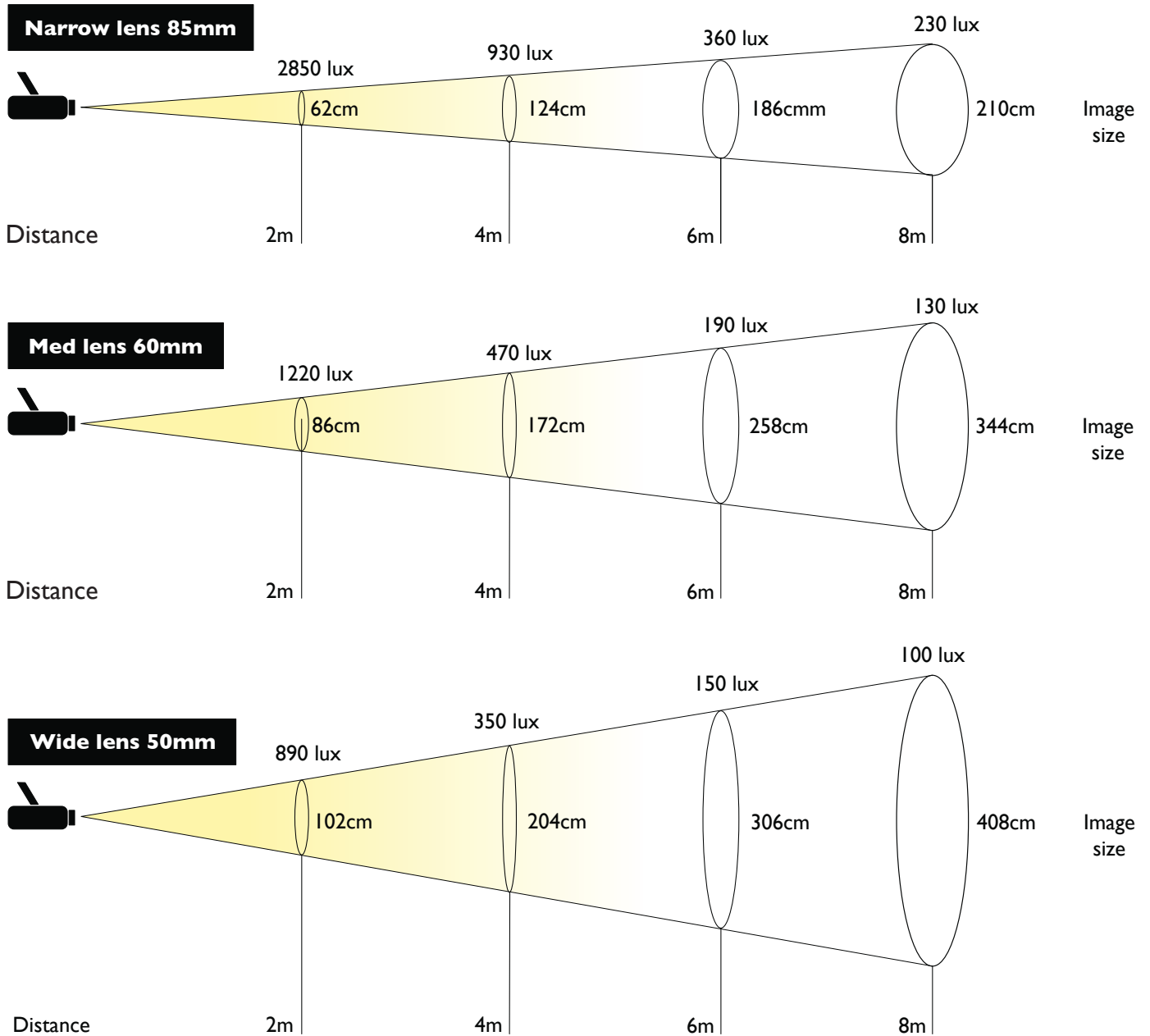
Evica specifications are liable to change without notice.

EP80+ (3000K) 80 CRI

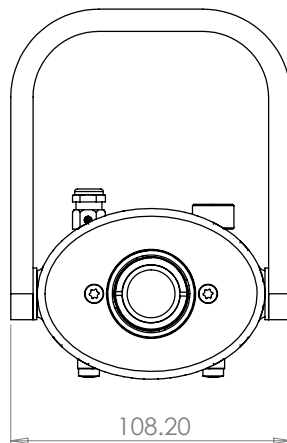
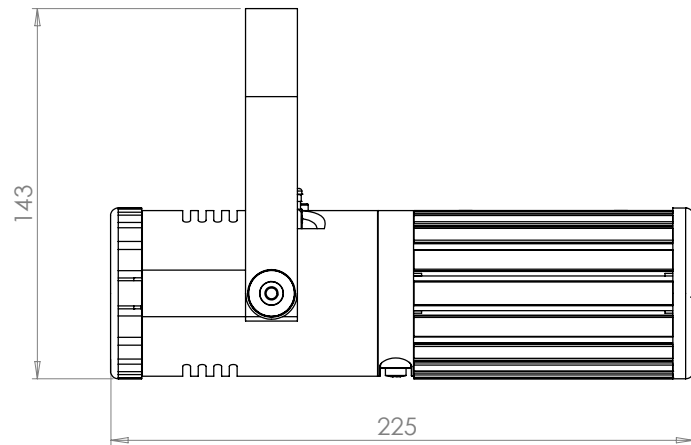
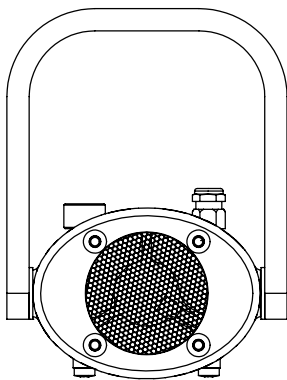
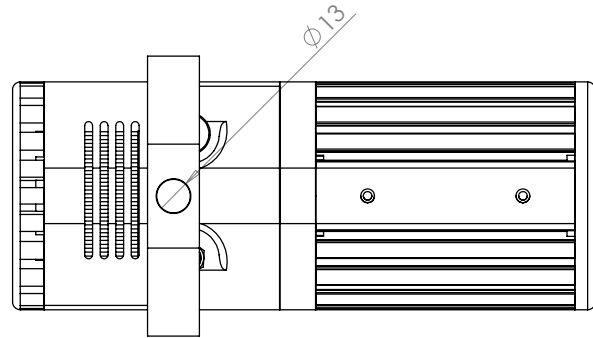
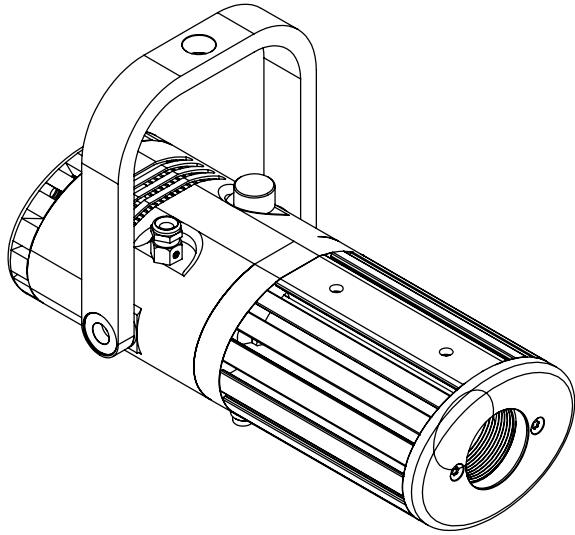


Evica specifications are liable to change without notice.

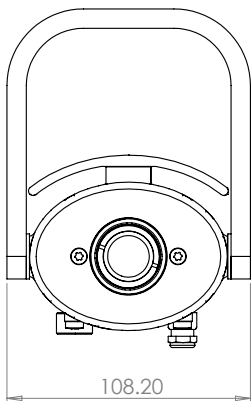
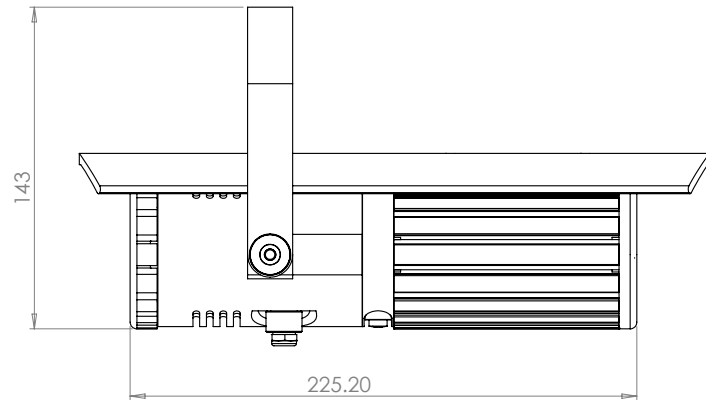
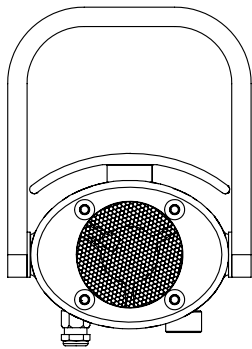
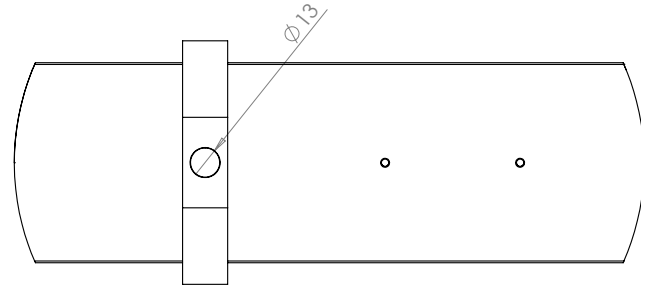
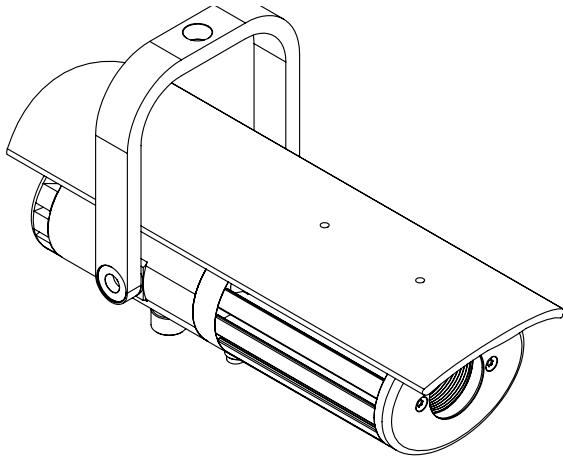
EP80+ (3000K) 98 CRI



Evica specifications are liable to change without notice.

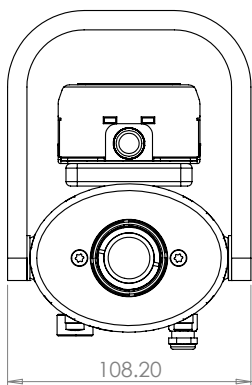
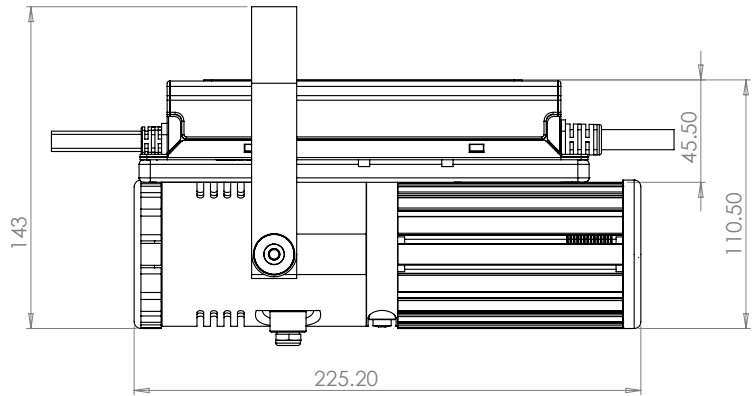
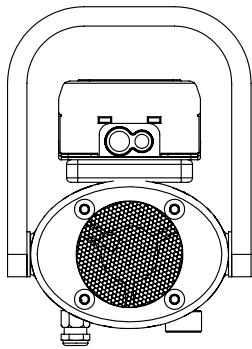
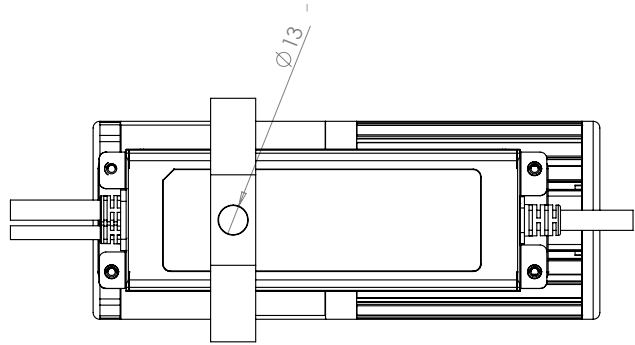
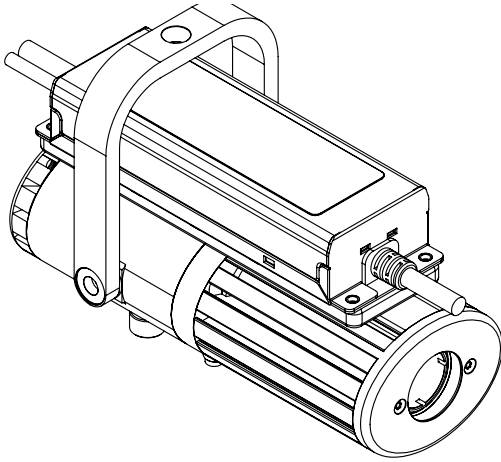


Evica specifications are liable to change without notice.



With cowl unit

Evica specifications are liable to change without notice.



With drive unit

Evica specifications are liable to change without notice.

