



EVICA EP20+

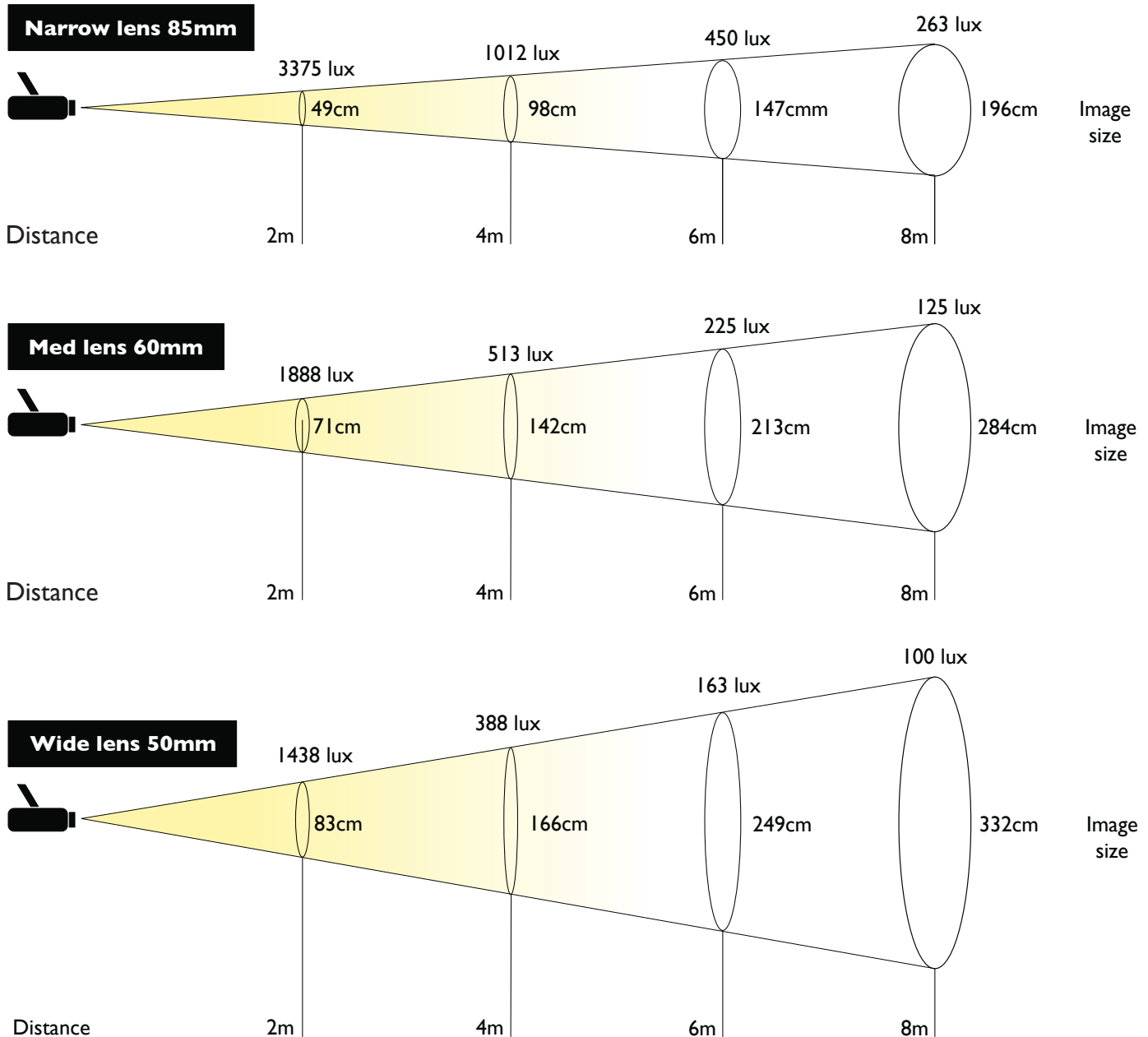
Technical details EP20+

Cooling	Convection		
Noise dBA	0		
IP rating	IP65		
Operating Temperature Degrees C	-20 to +40		
Light Source	Fidelity 20W		
LED Luminous Flux (Lm)	6500K/ 2012	Options	3000K/5600K 913/1610
Standard CCT	6500K	Options	3000K/5600K
Standard CRI	80	Options	98+
Luminaire Supply Voltage (Vdc)	30		
Luminaire supply current (mA)	700		
Input Power	20w		
Recommended IP67 Drive module (Fixed Voltage)	XLG-20-H		
Recommended IP67 Drive module (0-10V dim for 100K pot)	XLG-20-H-B		
Lamp housing material	Aluminium		
Lamp housing finish (standard)	Anodised		
Lamp housing finish (special order)	RAL Powder coated		
Weight (Kg)	1.3		
Gobo	Size E 37.5mm (active 24mm)		
Mounting Yoke hole	13mm		
Objective Lens assemblies	N(85mmfl)/M(60mmfl)/W(50mmfl)		
Image Angle (Narrow lens) degrees	14.0°		
Image Angle (Medium lens) degrees	20.1°		
Image Angle (Wide lens) degrees	23.4°		
LED Lifetime (LM-70)	43,000 Hours (70% Lumen Maintenance)		
Options			
Cowl	CI		
Integrated Drive Mounting plate	XLG-BRACKET		



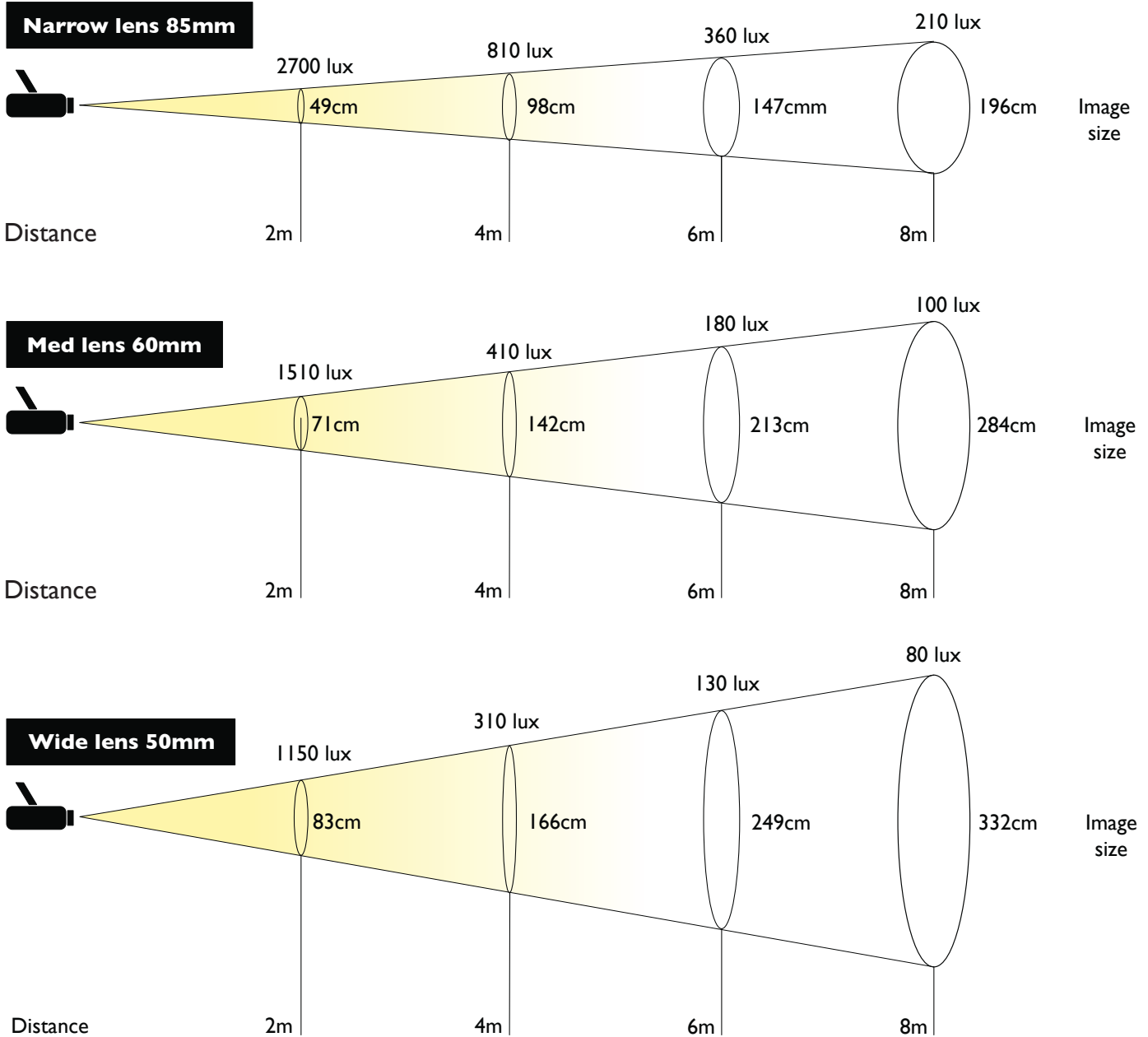
Evica specifications are liable to change without notice.

Standard EP20+ (6500K) 80 CRI



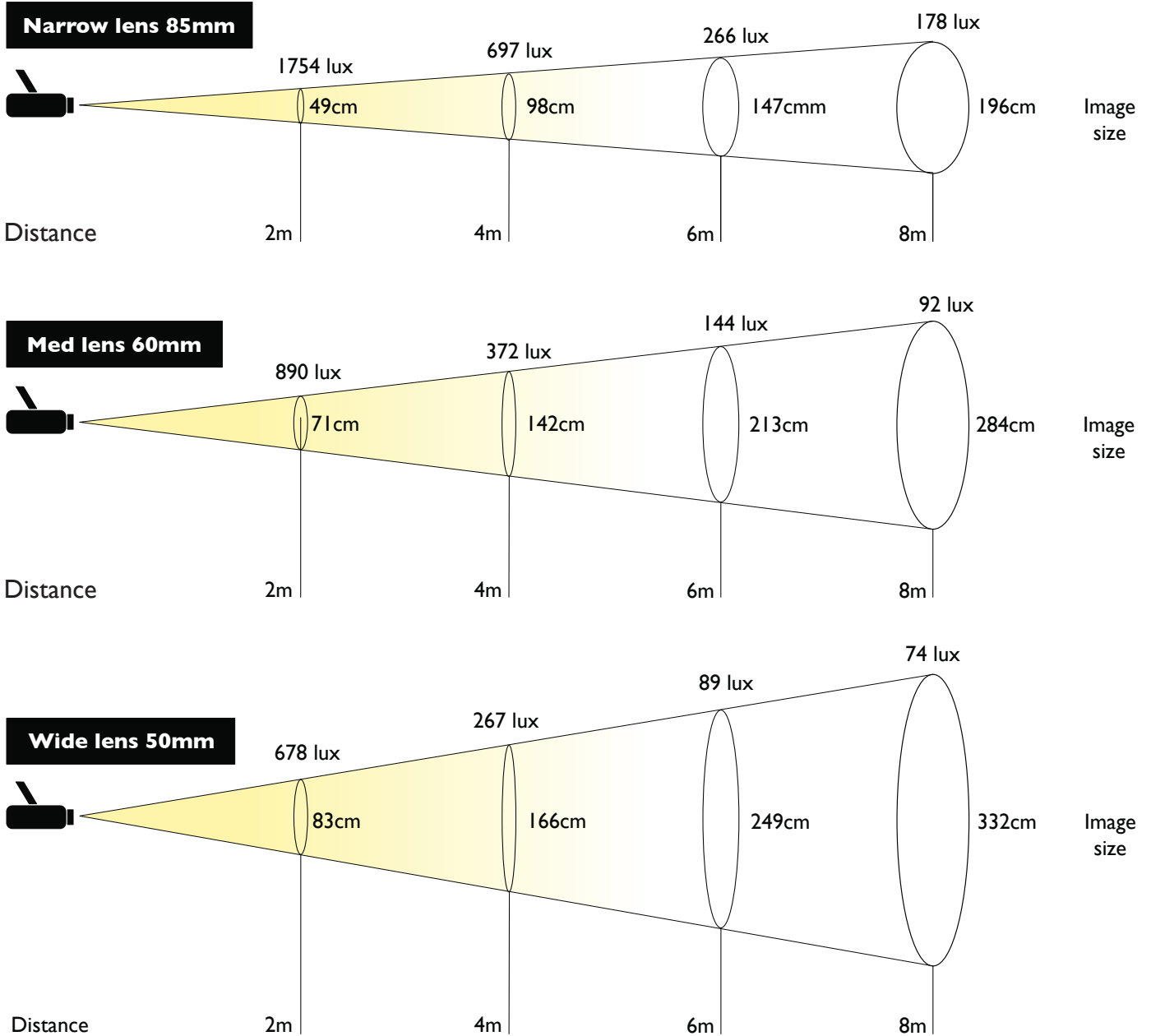
Evica specifications are liable to change without notice.

EP20+ (5600K) 80 CRI



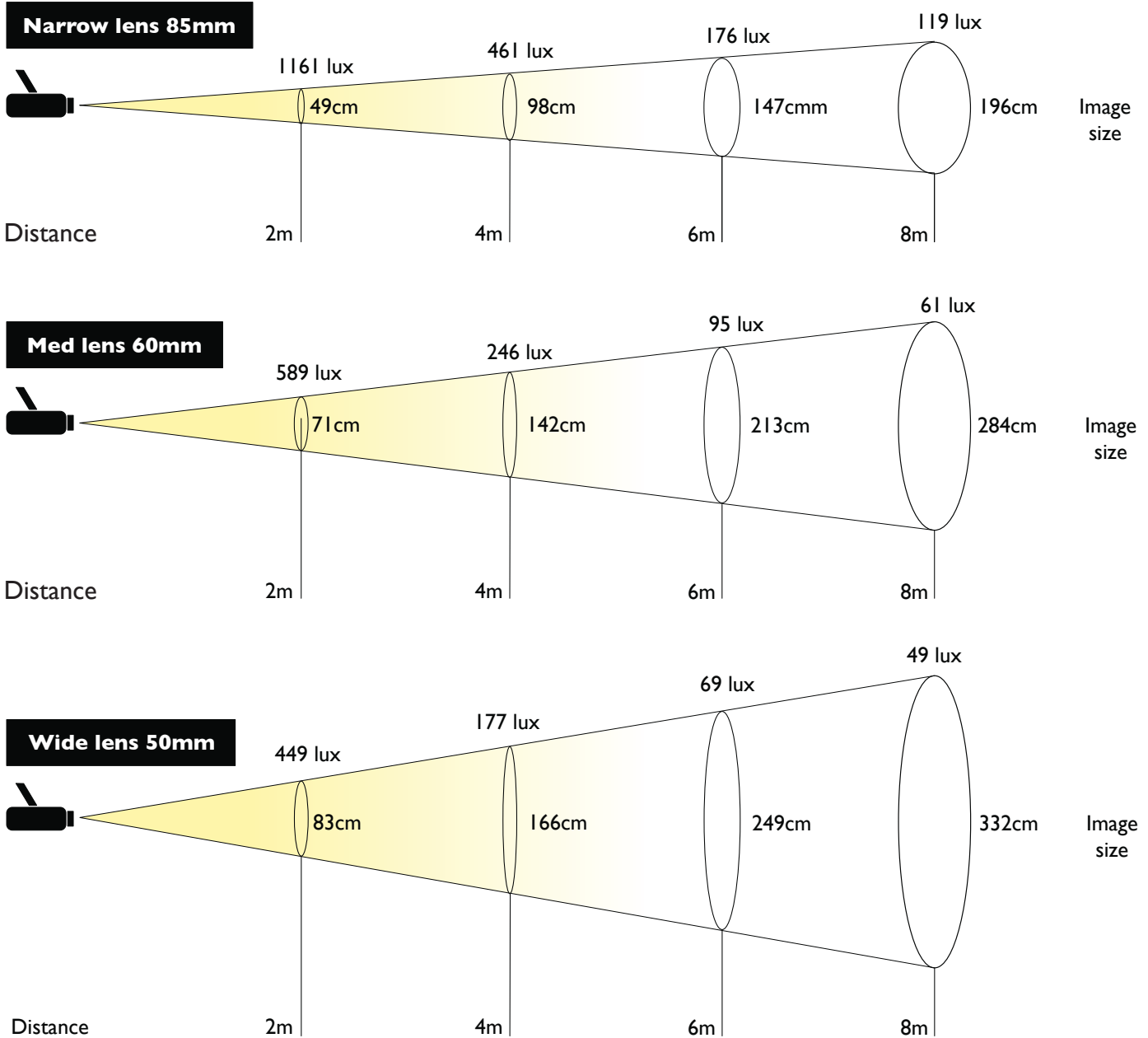
Evica specifications are liable to change without notice.

EP20+ (3000K) 80 CRI

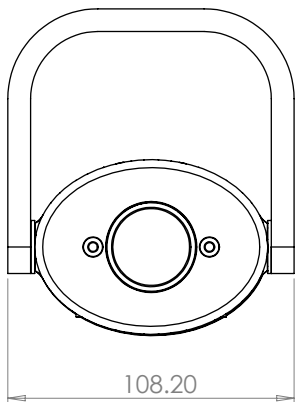
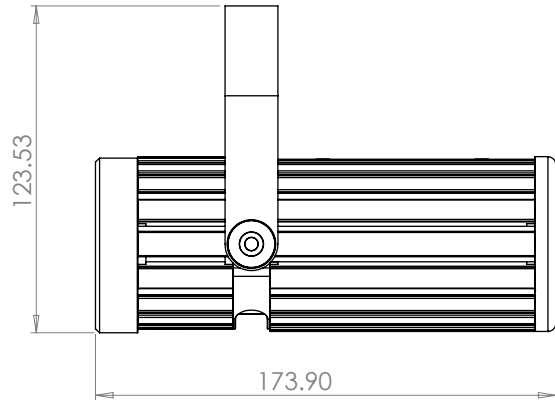
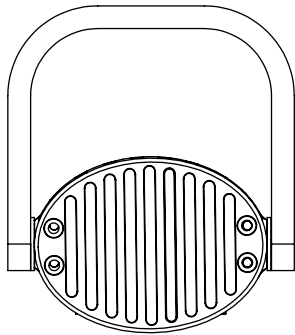
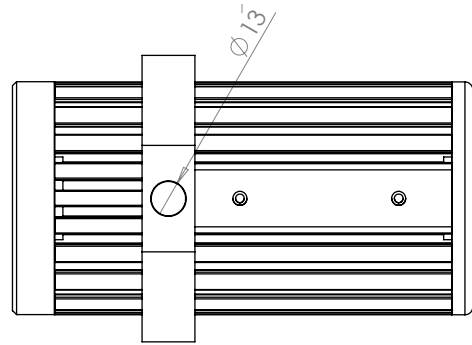
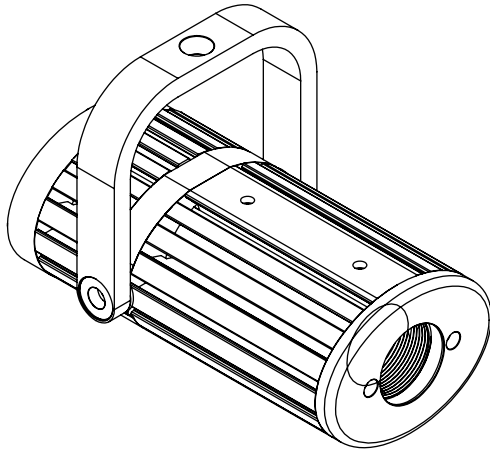


Evica specifications are liable to change without notice.

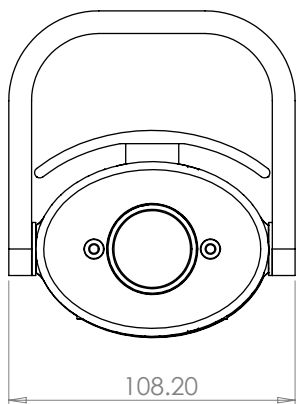
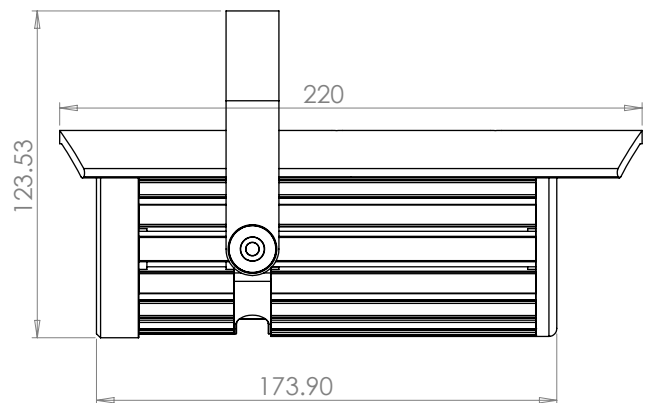
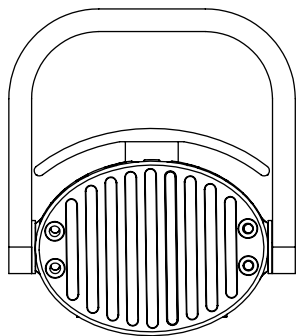
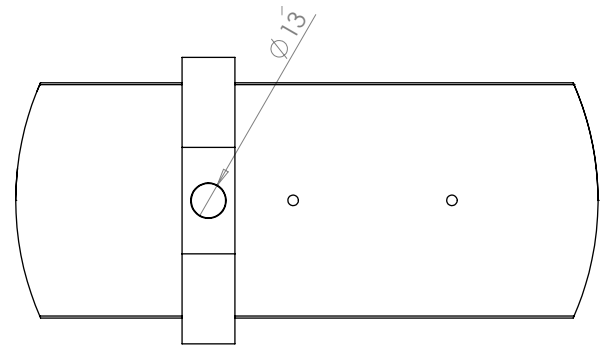
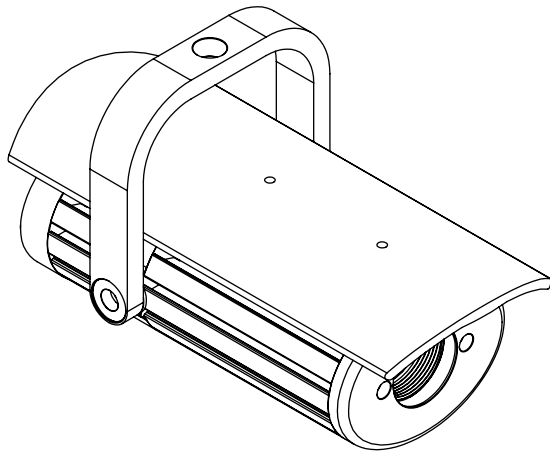
EP20+ (3000K) 98 CRI



Evica specifications are liable to change without notice.

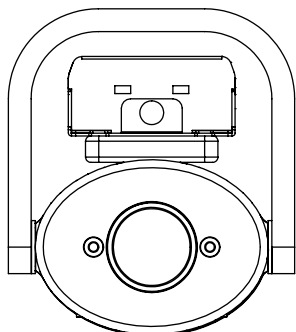
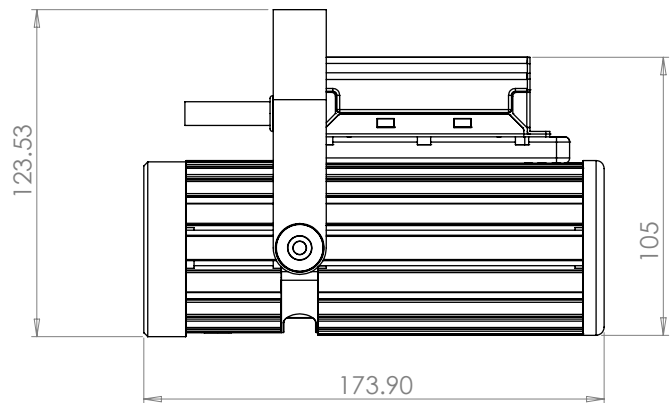
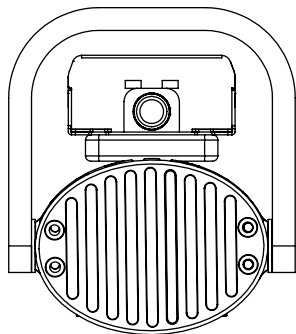
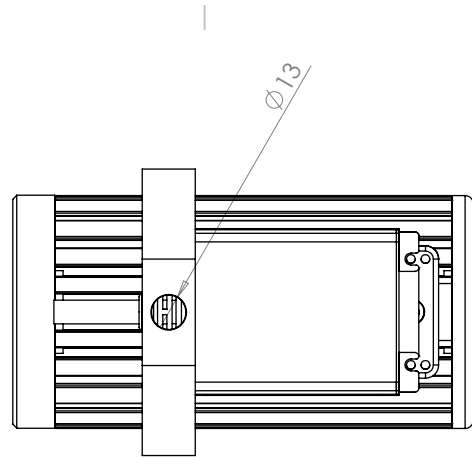
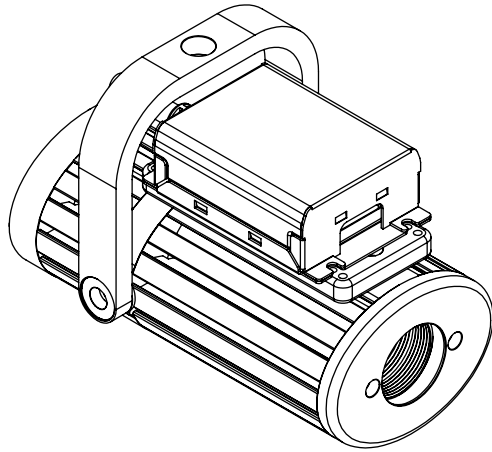


Evica specifications are liable to change without notice.



With cowl unit

Evica specifications are liable to change without notice.



With drive unit

Evica specifications are liable to change without notice.

