



EVICA EP40+

Technical details EP40+

Cooling	Convection		
Noise dBA	0		
IP rating	IP65		
Operating Temperature Degrees C	-20 to +40		
Light Source Fidelity	40W		
LED Luminous Flux (Lm)	6500K/ 5250	Options	3000K/5600K 2400/4200
Standard CCT	6500K	Options	3000K/5600K/UV 395nm 30'000mW
Standard CRI	80	Options	98+
Luminaire Supply Voltage (Vdc)	48		
Luminaire supply current (mA)	1200		
Input Power	45w		
Recommended IP67 Drive module (on board dim)	XLG-50-A		
Recommended IP67 Drive module (0-10V dim for 100K pot)			XLG-50-AB
Recommended IP67 Drive module (Dali dim)	ELG-75-C1050-DA		
Lamp housing material	Aluminium		
Lamp housing finish (standard)	Anodised		
Lamp housing finish (special order)	RAL Powder coated		
Weight (Kg)	1.8		
Gobo	Size E 37.5mm (active 28mm)		
Mounting Yoke hole	13mm		
Objective Lens assemblies	N(85mmfl)/M(60mmfl)/W(50mmfl)		
Image Angle (Narrow lens) degrees	17.6°		
Image Angle (Medium lens) degrees	24.2°		
Image Angle (Wide lens) degrees	28.6°		
LED Lifetime (LM-70)	43,000 Hours (70% Lumen Maintenance)		

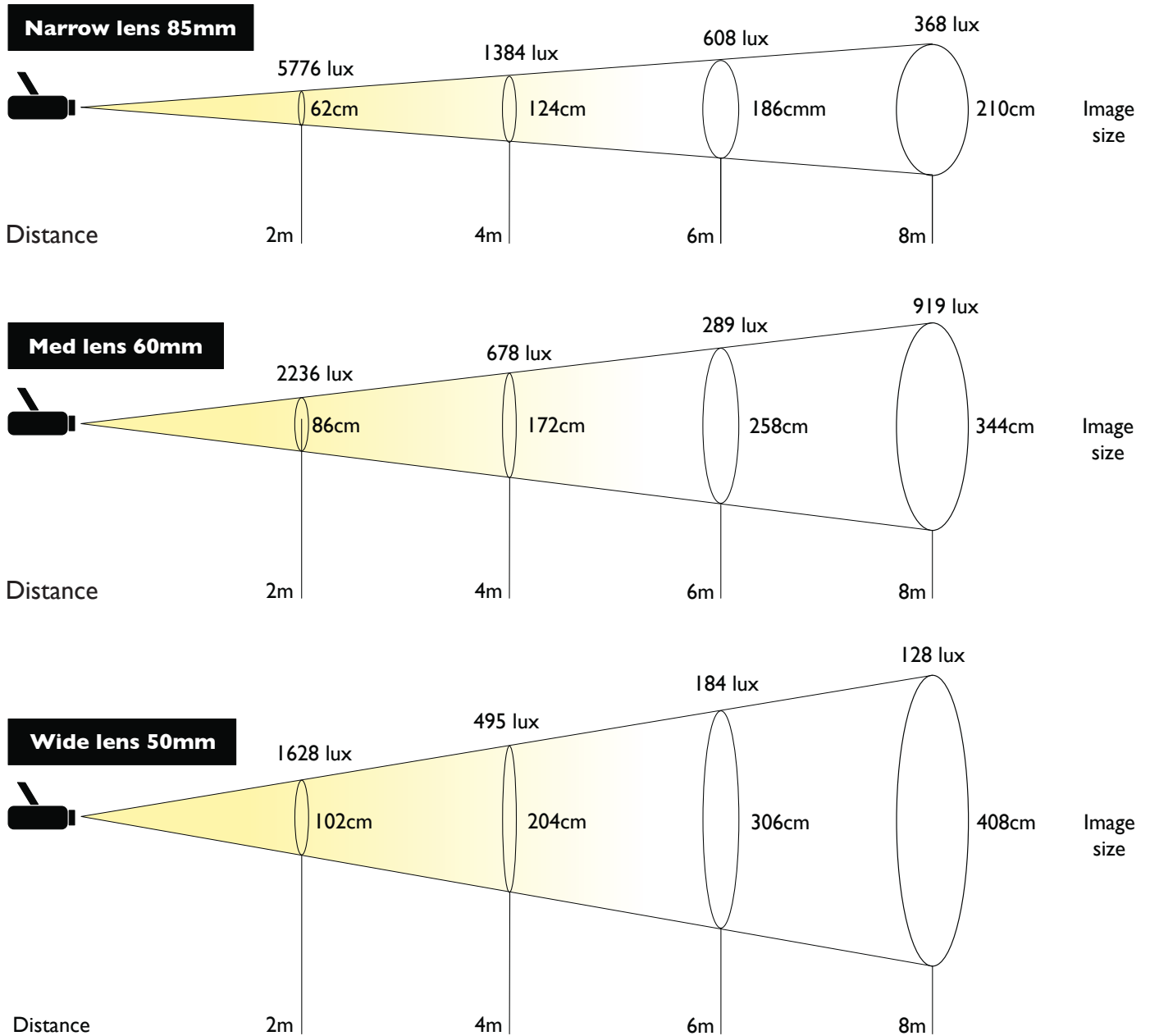
Options**Cowl** CI**Integrated Drive Mounting plate** XLG-BRACKET

Evica specifications are liable to change without notice.



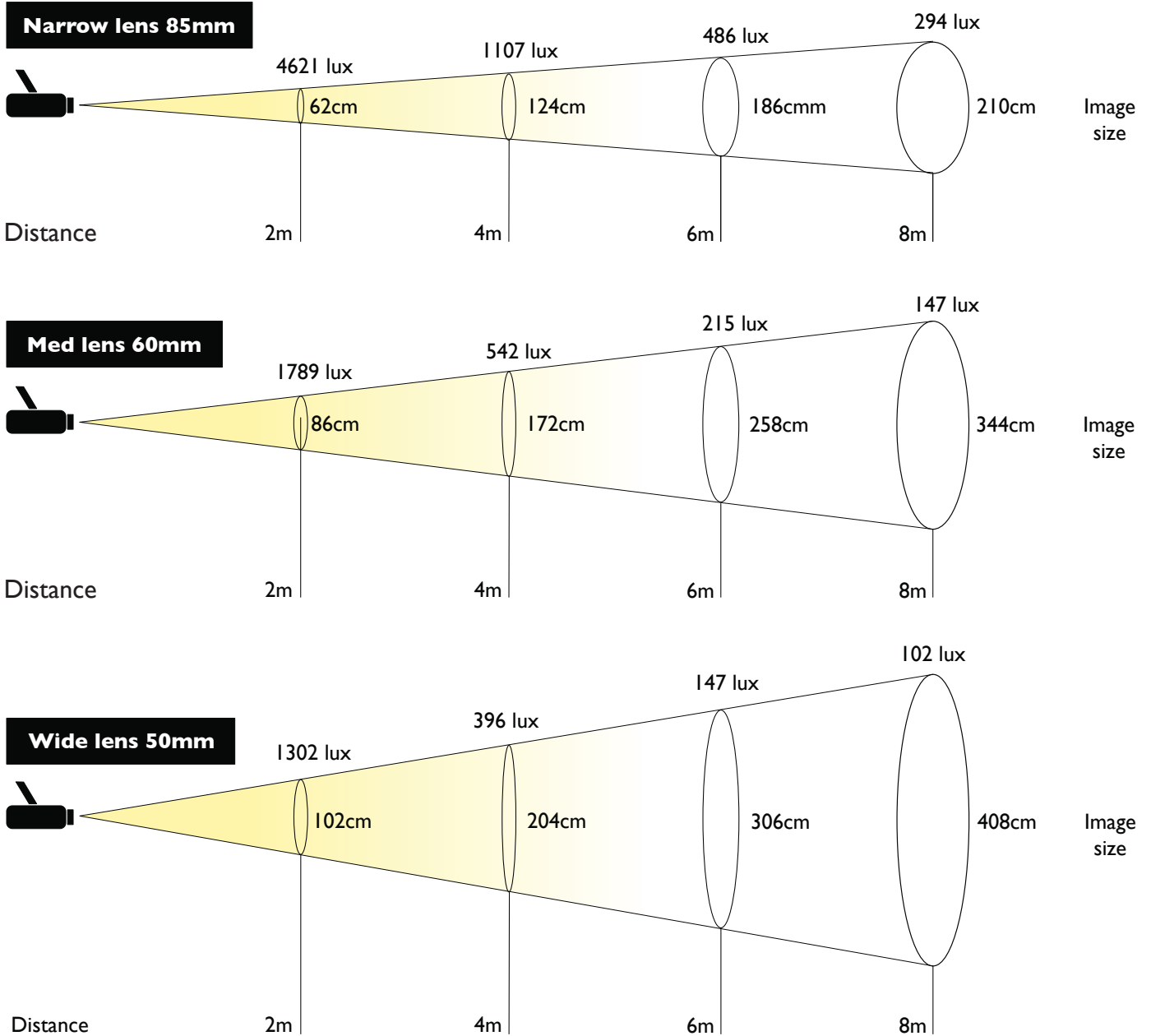
Evica specifications are liable to change without notice.

Standard EP40+ (6500K) 80 CRI



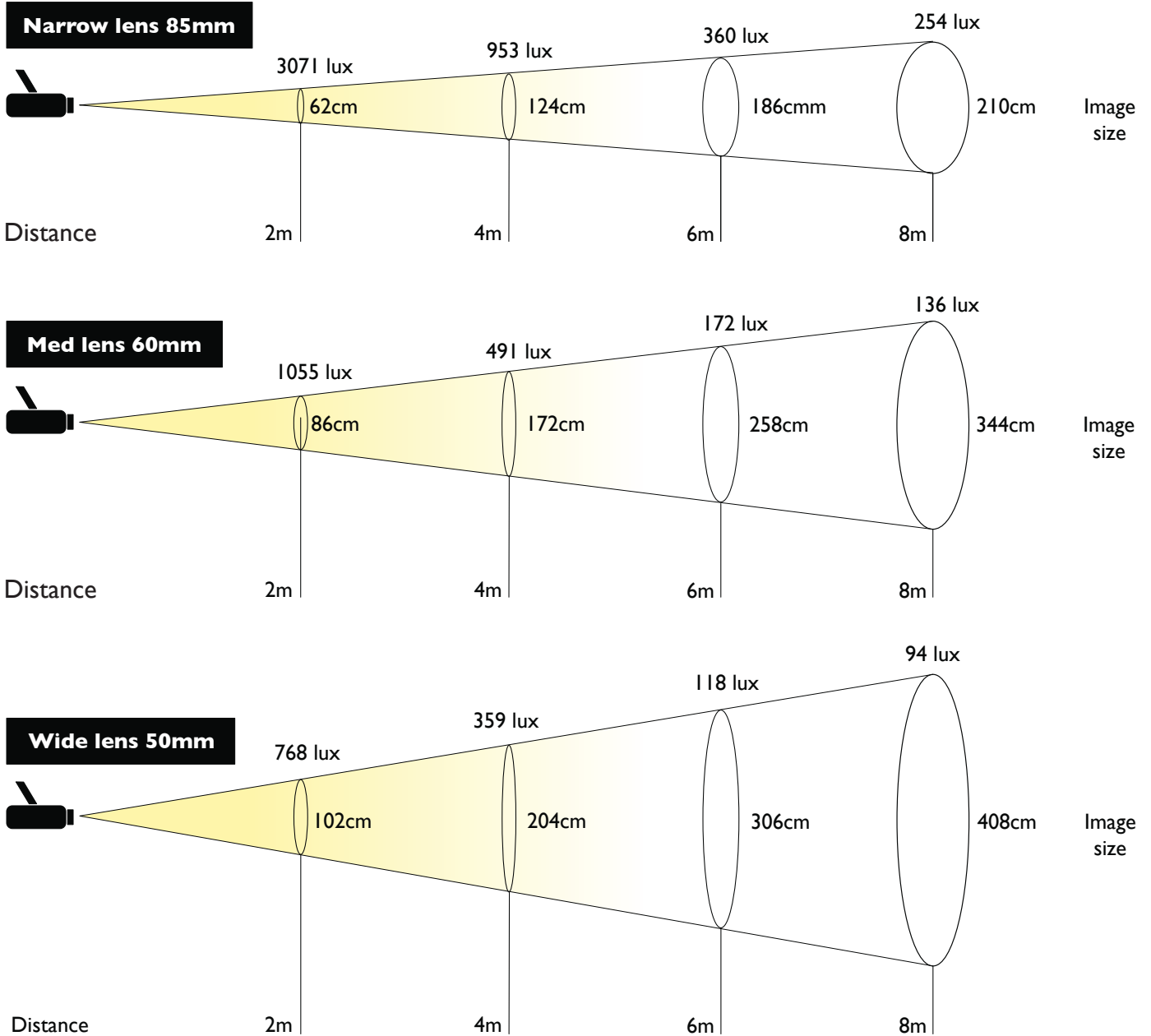
Evica specifications are liable to change without notice.

EP40+ (5600K) 80 CRI



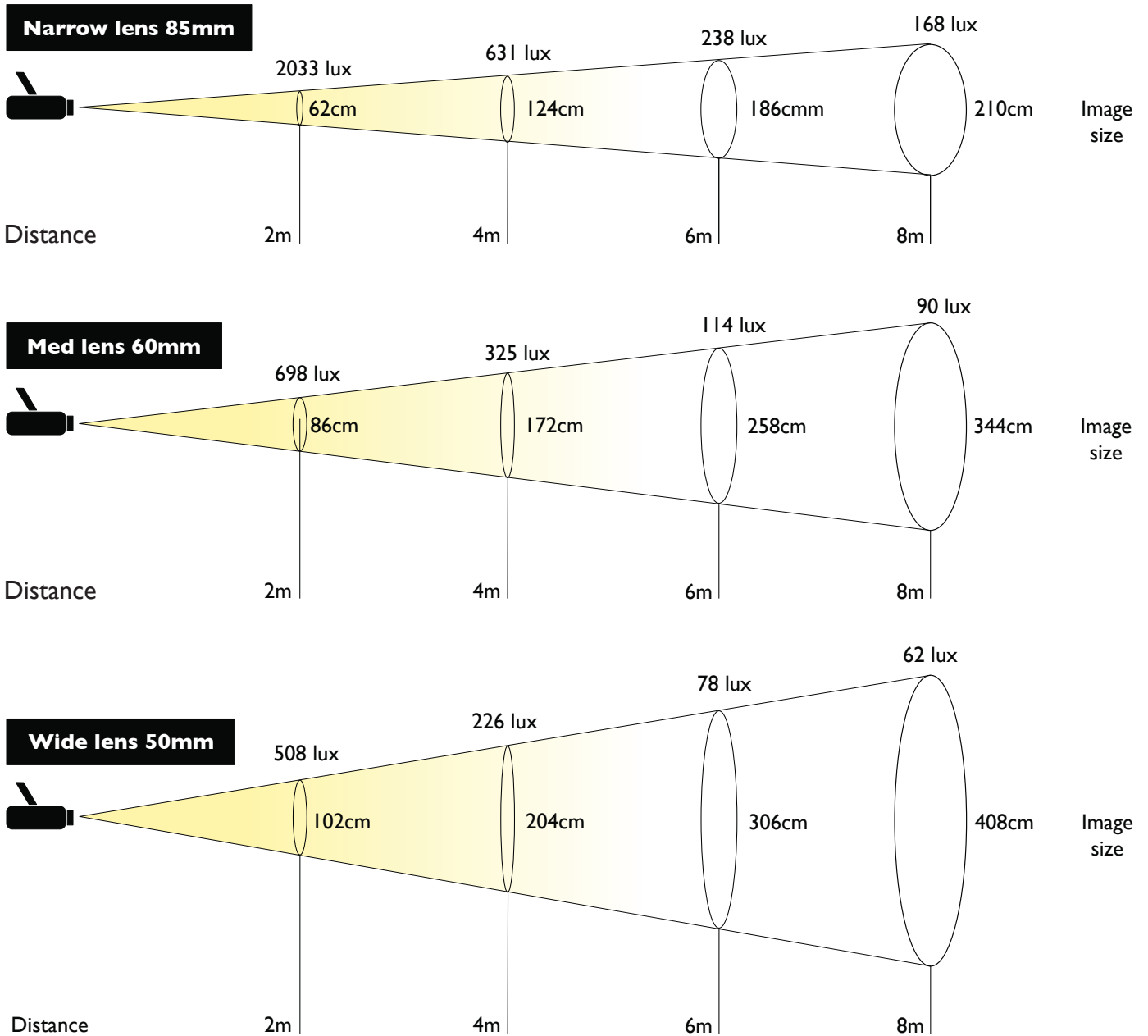
Evica specifications are liable to change without notice.

EP40+ (3000K) 80 CRI

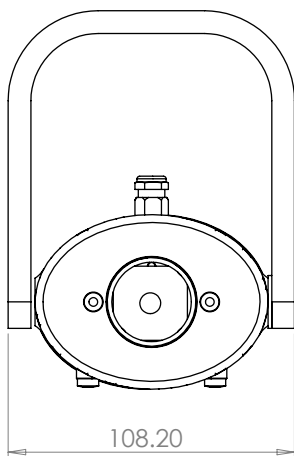
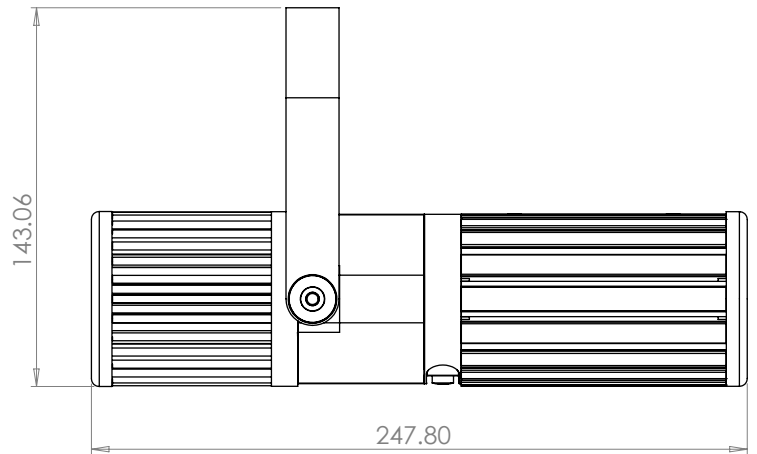
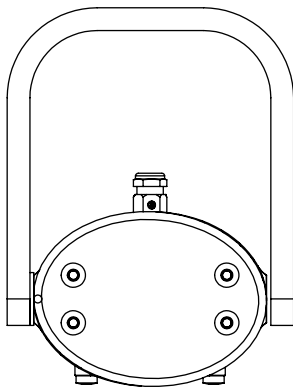
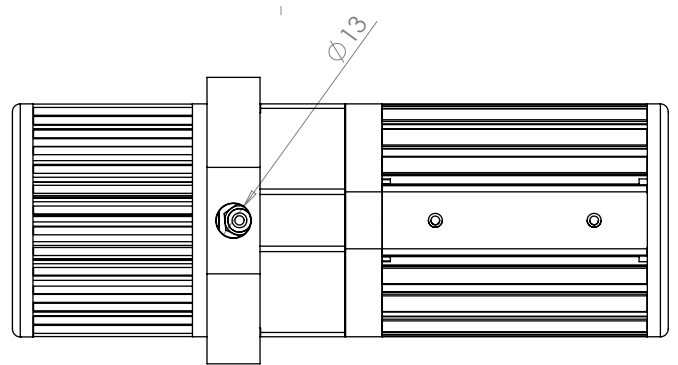
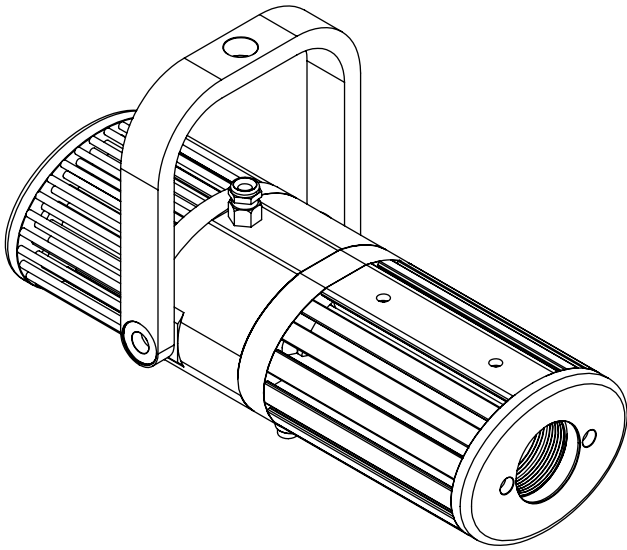


Evica specifications are liable to change without notice.

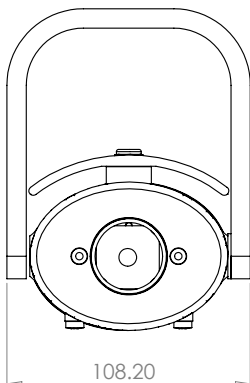
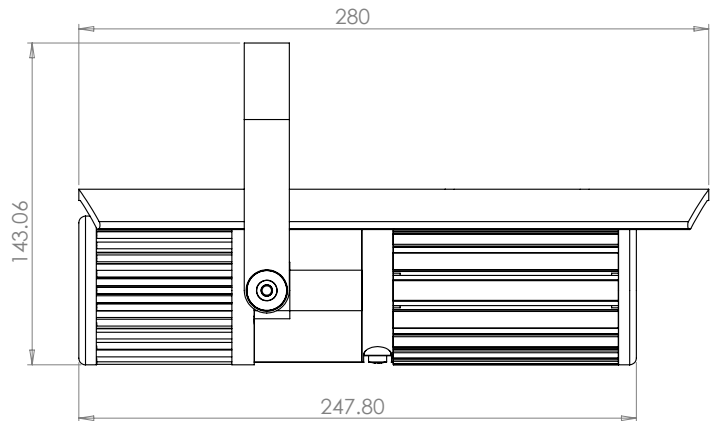
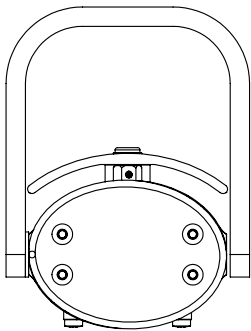
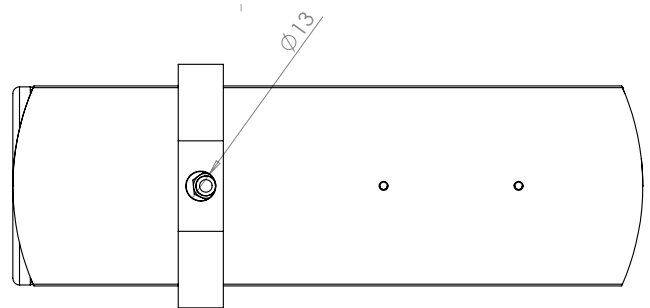
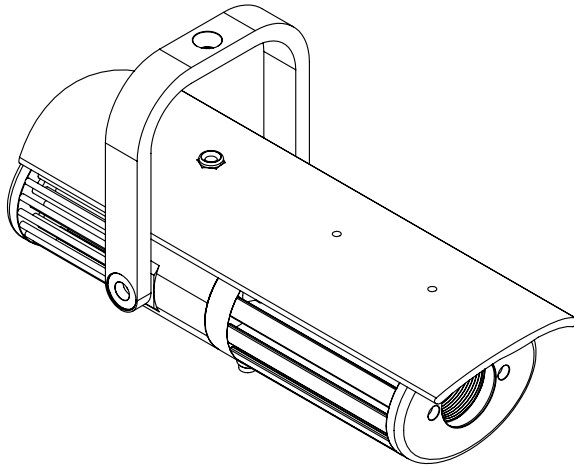
EP40+ (3000K) 98 CRI



Evica specifications are liable to change without notice.



Evica specifications are liable to change without notice.

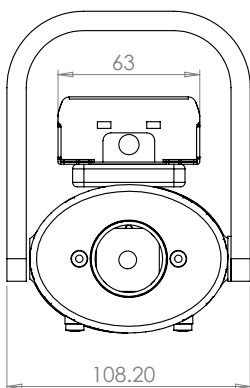
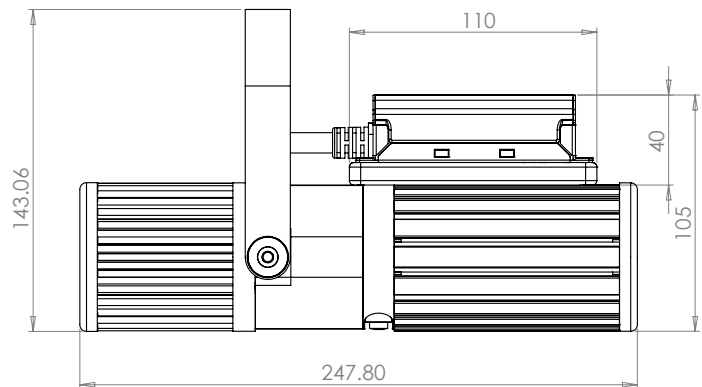
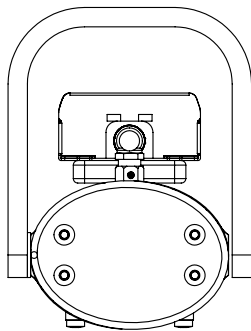
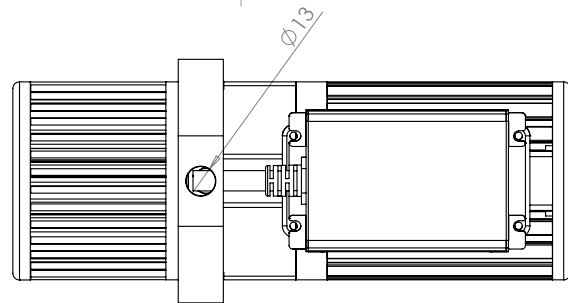
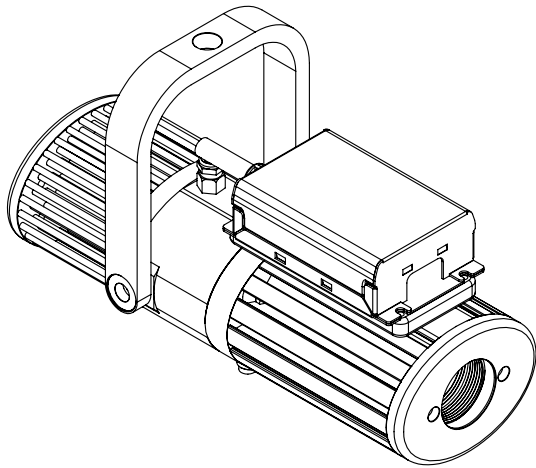


With cowl unit

Evica specifications are liable to change without notice.

evica^{LTD}
ep40+

EVICA EP40+



With drive unit

Evica specifications are liable to change without notice.

