



EVICA EP40+ RGBW

Technical details EP40+ RGBW

Cooling	Convection
Noise dBA	0
IP rating	IP65
Operating Temperature Degrees C	-20 to +40
Light Source Fidelity	50W
LED Luminous Flux (Lm) max per channel	W(1550), R(500), R(1200), B(280)
Luminaire Supply Voltage (Vdc)	20V x 4 channels
Luminaire supply current (mA)	1200
Input Power	45w
Drive module Drive module (DMX +Dali dim)	EldoLED 50SA-M4Z0X
Lamp housing material	Aluminium
Lamp housing finish (standard)	Anodised
Lamp housing finish (special order)	RAL Powder coated
Weight (Kg)	1.8
Gobo	Size E 37.5mm (active 28mm)
Mounting Yoke hole	13mm
Objective Lens assemblies	N(85mmfl)/M(60mmfl)/W(50mmfl)
Image Angle (Narrow lens) degrees	17.6°
Image Angle (Medium lens) degrees	24.2°
Image Angle (Wide lens) degrees	28.6°
LED Lifetime (LM-70)	43,000 Hours (70% Lumen Maintenance)

Options

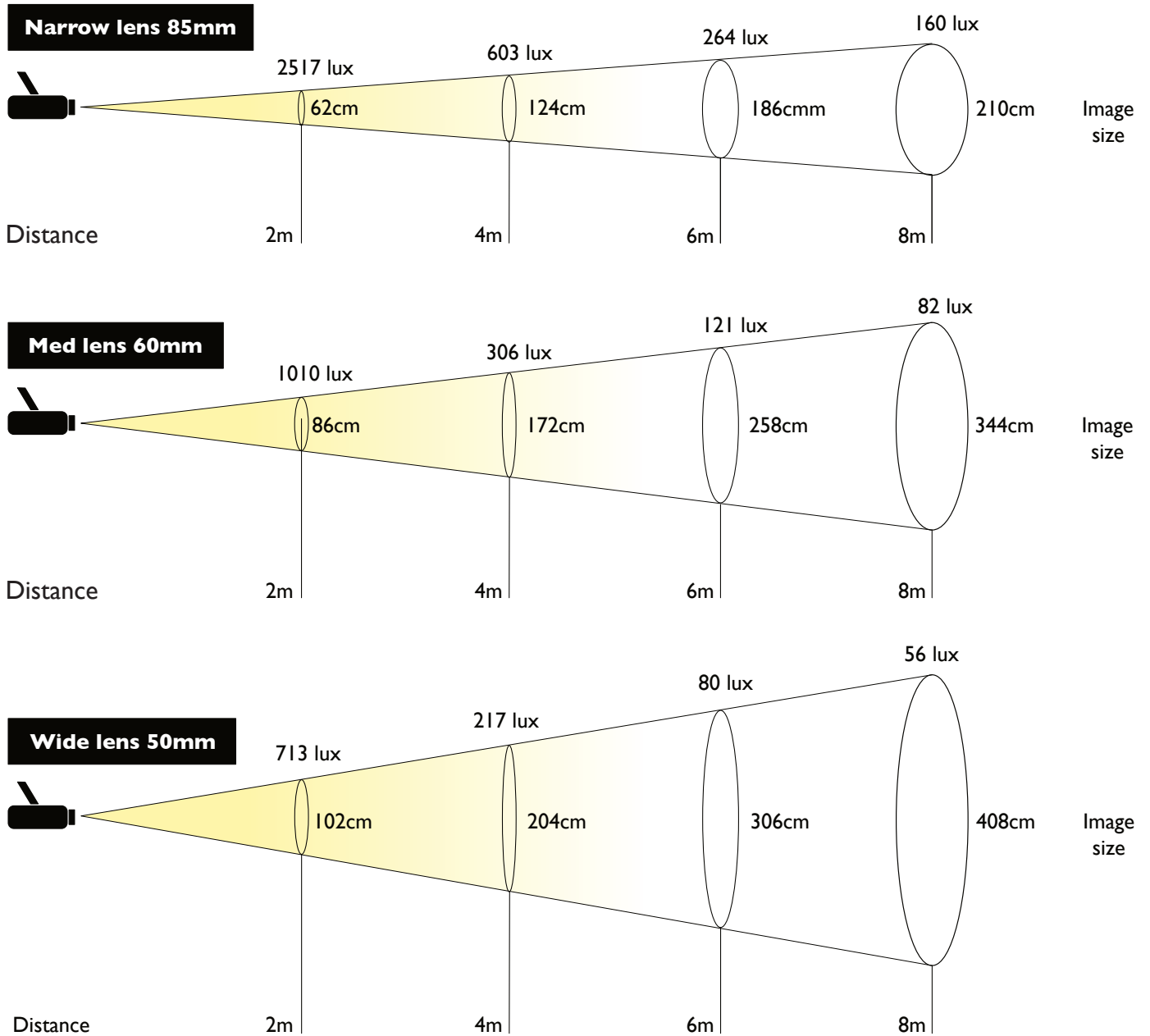
Cowl CI

Evica specifications are liable to change without notice.



Evica specifications are liable to change without notice.

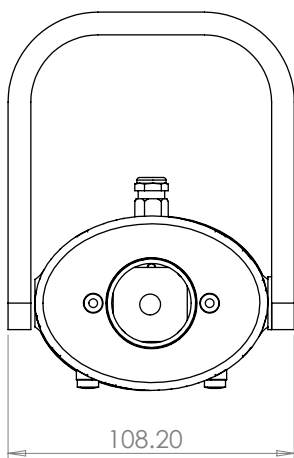
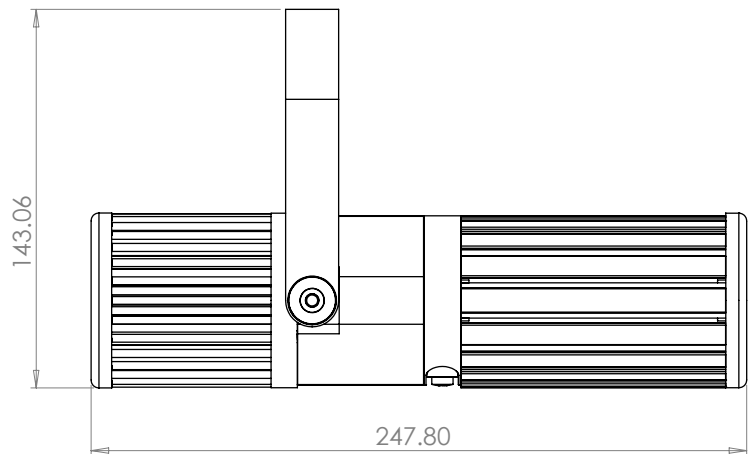
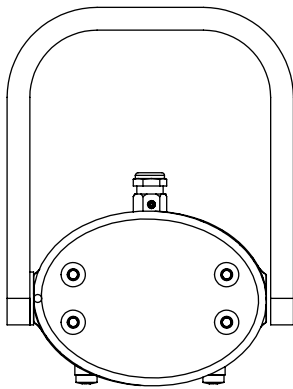
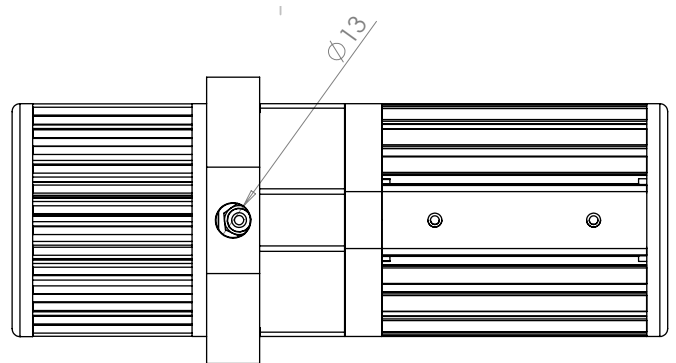
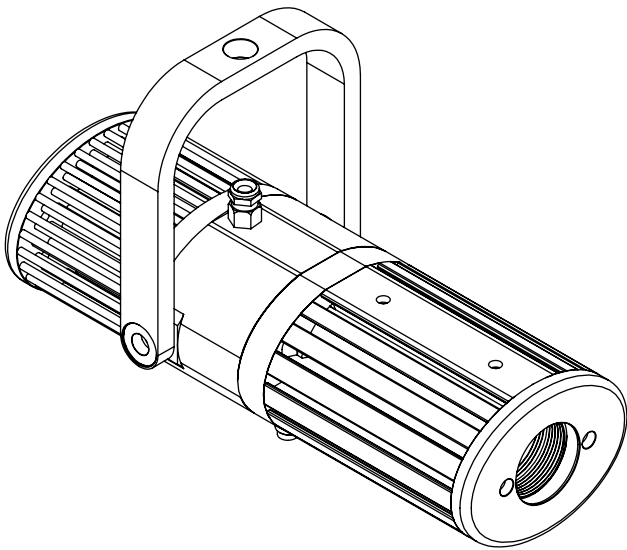
Standard EP40+ RGBW



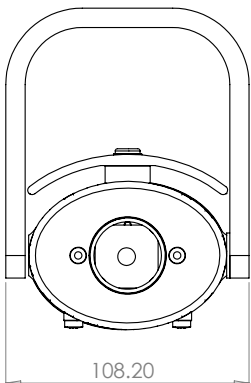
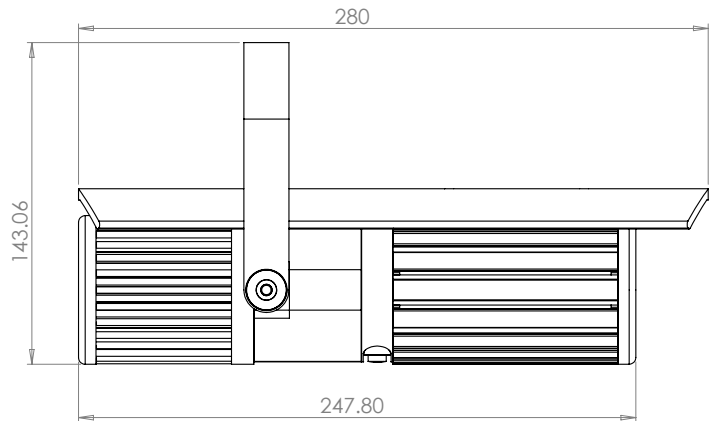
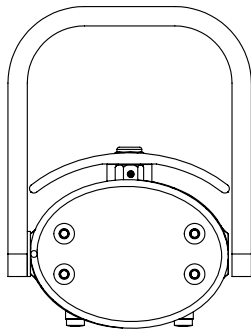
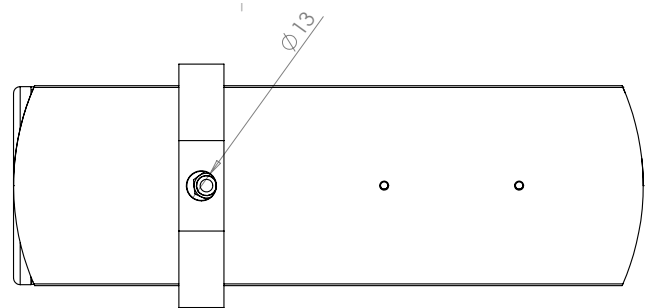
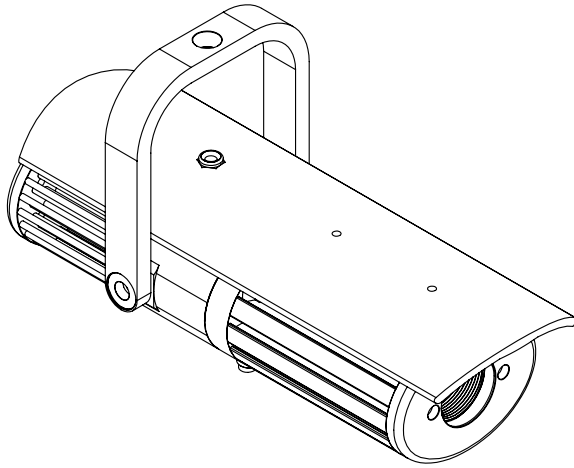
Evica specifications are liable to change without notice.



EVICA EP40+ RGBW



Evica specifications are liable to change without notice.



With cowl unit

Evica specifications are liable to change without notice.

